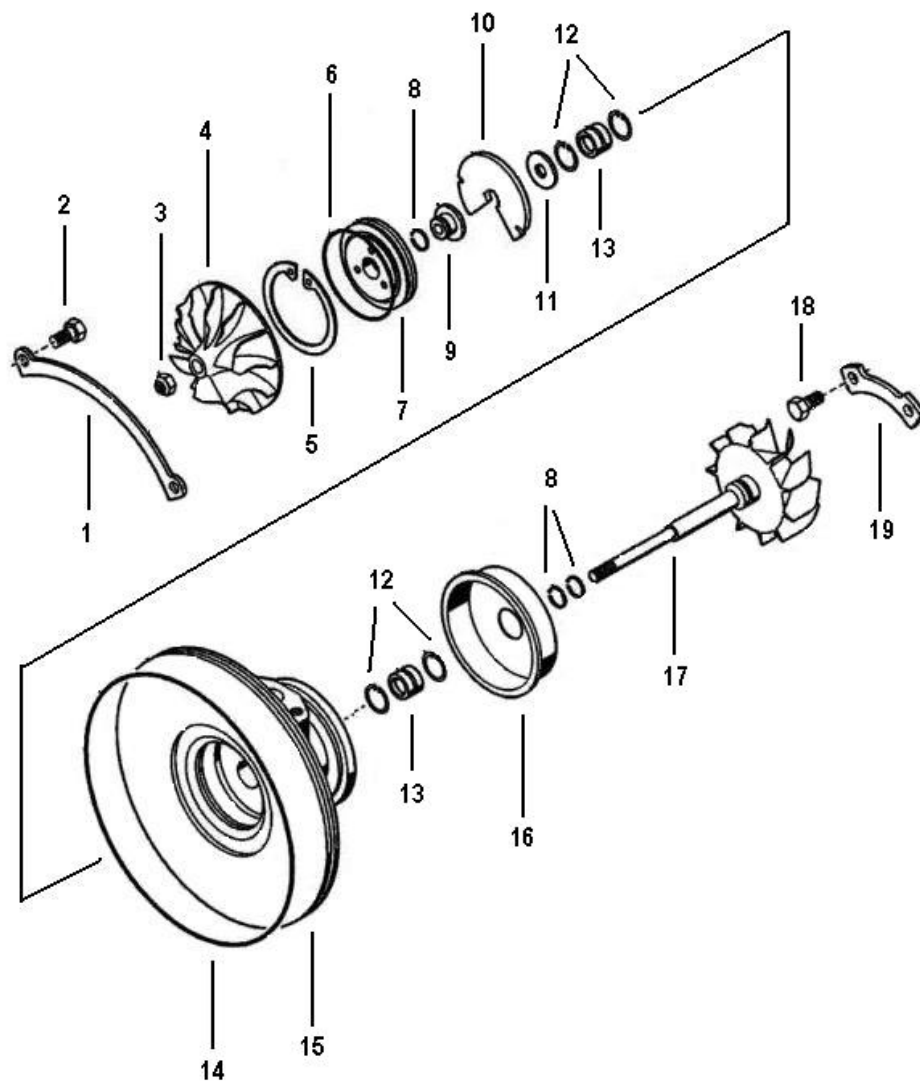


Borg Warner K31 Type Turbos

Common Service Parts
Oversize Service Parts

K31 Type

Repair Parts & Service Kits



K31 Type

Repair Parts & Service Kits

All parts are available for purchase as individual components or in the following popular Repair Kits

| Key | Description | MELETT Part Number | OE Part Number | Minor Kit 1301-031-750 | Major Kit 1301-031-755 |
|-----|--------------------------|--------------------|----------------|--------------------------|--|
| 13 | Journal Bearing | 1301-031-100 | 5331-155-1000 | 2 | 2 |
| 12 | Retaining Ring | 1301-031-140 | 5004-079-0013 | 4 | 4 |
| 14 | O' ring (196.0 x 2.83) | 1301-031-150 | 5331-158-0503 | 1 | 1 |
| 14 | O' ring (166.5 x 3.0) | 1301-031-155 | 5329-158-0500 | 1 | 1 |
| 6 | O' ring (59.6 x 2.7) | 1301-031-156 | 5331-158-0501 | 1 | 1 |
| 8 | Piston Ring T.E. | 1301-027-161 | 5327-127-0102 | 2 | 2 |
| 8 | Piston Ring C.E. | 1301-031-170 | 5331-127-0100 | 1 | 1 |
| 9 | Flinger Sleeve | 1301-031-200 | 5329-127-0401 | | 1 |
| 11 | Thrust Ring | 1301-031-240 | 5331-124-0000 | | 1 |
| 10 | Thrust Bearing | 1301-031-320 | 5331-155-1301 | 1 | 1 |
| 3 | Shaft Nut | 1301-031-351 | 5331-128-5001 | 1 | 1 |
| 18 | Set Screw T.E. (M8 x 14) | 1301-031-600 | 5327-109-0402 | 6 | 6 |
| - | Gasket Ring | 1301-031-790 | 5008-037-0208 | 1 | 1 |
| | | | | Replace 5331-711-0005 | Replace 5331-711-0005 & 5331-711-0503 |

Oversize Repair Parts Available

| Journal Bearings | |
|---|-------------|
| Original KKK Part Number (Std/Std): 5331-155-1000 | |
| Oversize's Available | Part Number |
| Oversize bearings in development – contact Melett Sales for latest availability | |

| Piston Rings | | | |
|---|------------|-------------|--------------|
| OE Part Number (Turbine Std/Std): 5327-127-0102 | | | |
| Oversizes Available – Turbine & Comp End | | | |
| Description | OD | Width | Part Number |
| Ø19.3mm Turbine End | OD +0.010" | Wth Std | 1301-027-182 |
| Ø19.3mm Turbine End | OD +0.010" | Wth +0.010" | 1301-027-183 |