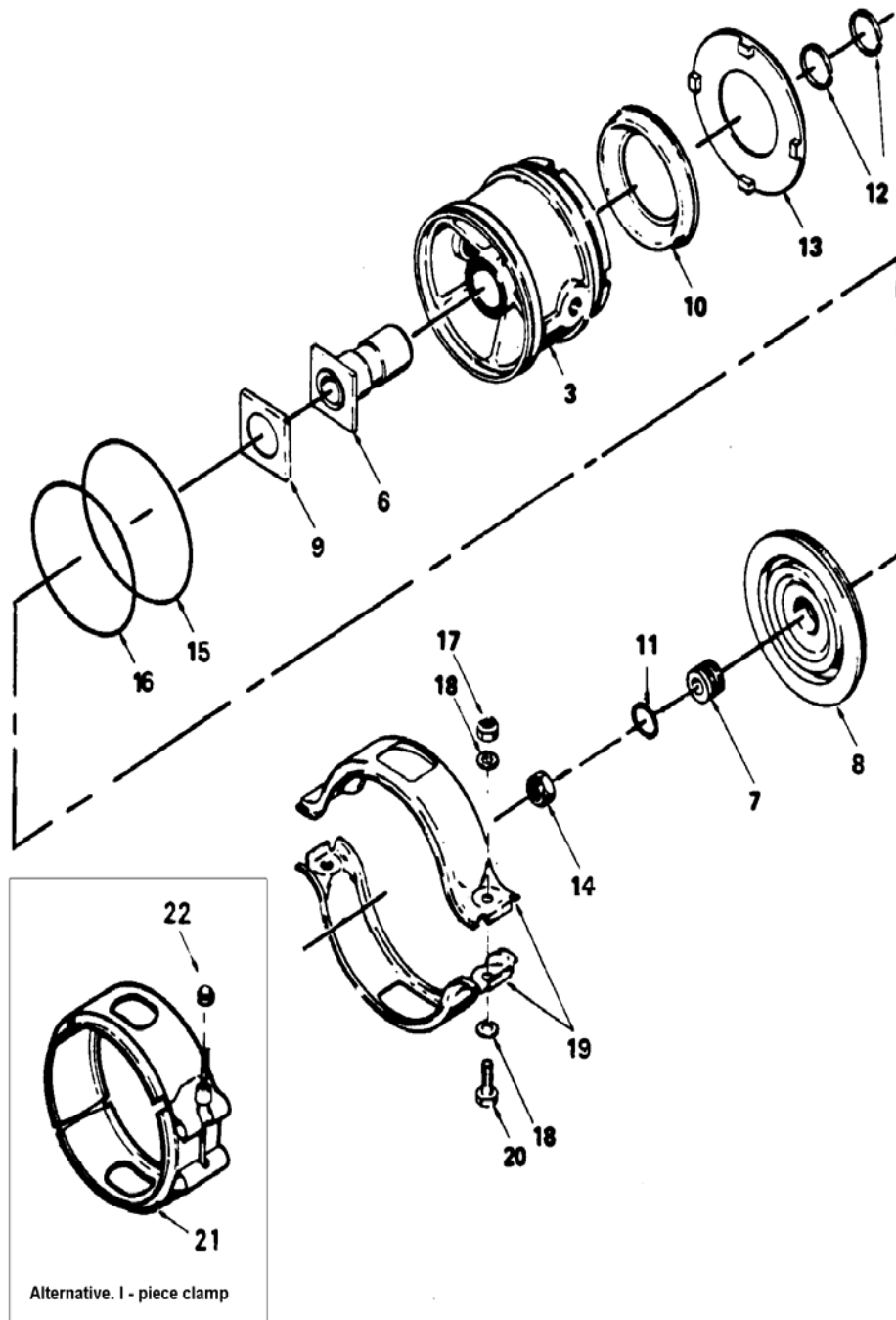


# Cummins T/ST/VT46 & 50 Type Turbos

Common Service Parts  
Oversize Service Parts  
Major Replacement Parts  
(Shaft & Wheels, Compressor Wheels etc)

# T46, T46B, T50, ST50 & VT50 Type

## Common Service Parts



# T46, T46B, T50, ST50 & VT50 Type

## Repair Parts & Service Kits

All parts are available for purchase as individual components or in the following popular Repair Kits

| Key | Part Description                | MELETT Part Number | Note | Quantity Per Turbo | Repair Kit 1200-050-750                               | Repair Kit 1200-050-751  |
|-----|---------------------------------|--------------------|------|--------------------|---|--|
| 6   | Journal Bearing Std/Std         | 1200-050-100       |      | 1                  | 1   |  |
| 7   | Thrust Spacer, super back       | 1200-050-200       | (1)  | 1                  |   |  |
| 8   | Seal Plate, super back          | 1200-050-300       | (1)  |                    |   |  |
| 9   | Bearing Insert                  | 1200-050-281       |      | 1                  | 1   | 1  |
| 10  | Heat Packing                    | 1200-050-280       |      | 1                  | 1   | 1  |
| 11  | Piston Ring (Comp) Std          | 1200-050-170       |      | 1                  | 1   | 1  |
| 12  | Piston Ring (Turb) Std          | 1200-050-160       |      | 2                  | 2   | 2  |
| 13  | Heat Shield                     | 1200-050-340       |      | 1                  |   |  |
| 14  | Shaft Nut                       | 1200-050-350       |      | 1                  | 1   | 1  |
| 15  | "O" Ring, Bearing Housing       | 1200-050-155       |      | 1                  | 1   | 1  |
| 16  | "O" Ring, Seal Plate            | 1200-050-150       |      | 1                  | 1   | 1  |
| 17  | Locknut, 2-piece clamp          | 1200-050-640       |      | 2                  | 2   | 2  |
| 18  | Flat Washer                     | 1200-050-630       |      | 4                  | 4   | 4  |
| 19  | Clamp, 2-piece (Use 1200050345) | N/A                |      | 2                  |   |  |
| 20  | Bolt, 2-piece clamp             | 1200-050-600       |      | 2                  | 2   | 2  |
| 21  | Clamp, 1-piece                  | 1200-050-345       |      | 1                  |   |  |
| 22  | Locknut, one piece clamp        | 1100-120-645       |      | 1                  |   |  |
| -   | "O" Ring, Diffuser Plate        | 1200-050-156       |      | 1                  | 1   | 1  |
| -   | Gasket 4 bolt holes             | 1900-000-001       |      | 1                  | 1   | 1  |
| -   | Gasket 6 bolt holes             | 1900-000-002       |      | 1                  |   |  |
|     |                                 |                    |      |                    | <b>Replace</b><br><b>300385</b><br><b>150310-0000</b> | <b>Replace</b><br><b>3801096</b><br><b>3023555</b><br><b>150314-0000</b> |

### NOTES

- 1) Thrust spacer 1200050200 and seal plate 1200050300 are for cartridge and turbocharger assemblies with current- style super back compressor wheels and must be used together.
- 2) Maintenance Kits 1200050750 and 1200050751 contain the hardware for 2-piece clamps but do not contain the clamps

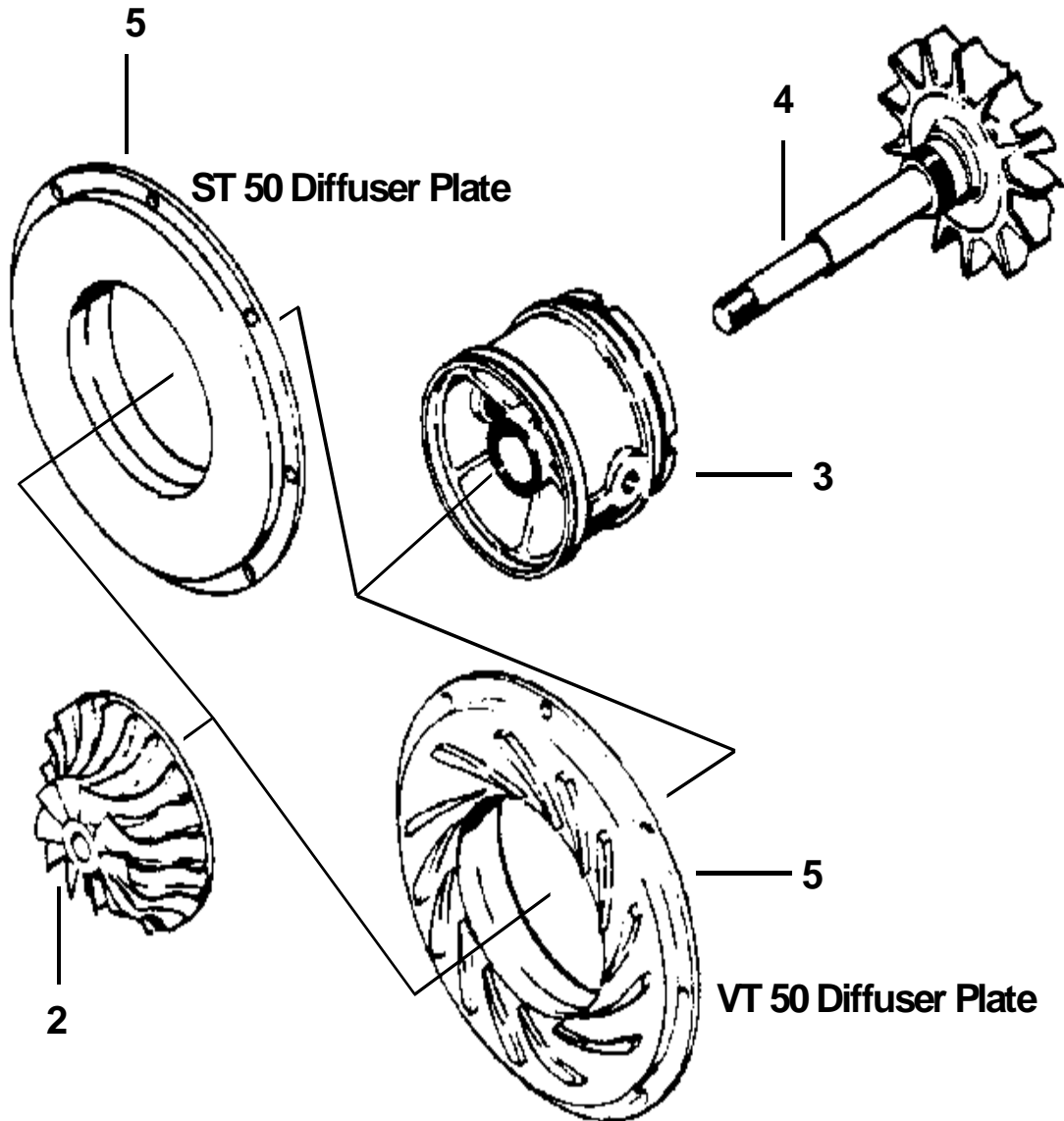
## Oversize/Undersize Repair Parts Available

| Journal Bearings           |              |  |
|----------------------------|--------------|--|
| OE Part Number 150027-0000 |              |  |
| Undersize Available        | Part Number  |  |
| OD Std   ID -0.010"        | 1200-050-127 |  |

| Piston Rings – Turbine End |              | Piston Rings – Compressor End |              |
|----------------------------|--------------|-------------------------------|--------------|
| OE Part Number 150033-0000 |              | OE Part Number 150032-0000    |              |
| Oversize's Available       | Part Number  | Oversize's Available          | Part Number  |
| OD +.010   Wth -0.025"     | 1200-050-182 | OD +0.010"   Wth Std          | 1200-050-185 |

## T46, T46B, T50, ST50 & VT50 Type

### Major Replacement Parts



This illustration is a guide and does not necessarily show all parts accurately

## T46, T46B, T50, ST50 & VT50 Type

### Major Replacement Parts – Summary & Cross Reference

The following major replacement parts are available from stock.

| <b>CUMMINS<br/>Part Number</b> | <b>Melett<br/>Part Number</b> | <b>Description</b>   |
|--------------------------------|-------------------------------|----------------------|
| 216804<br>216805               | <b>1200-050-300</b>           | Seal Plate T50       |
| 171570                         | <b>1200-050-340</b>           | Heat Shield T50      |
| 3002731                        | <b>1200-050-428</b>           | Compressor Wheel T50 |
| 3025390                        | <b>1200-050-436</b>           | Shaft & Wheel T50    |
| 3038745<br>202376<br>202392    | <b>1200-050-450</b>           | Bearing Housing T50  |