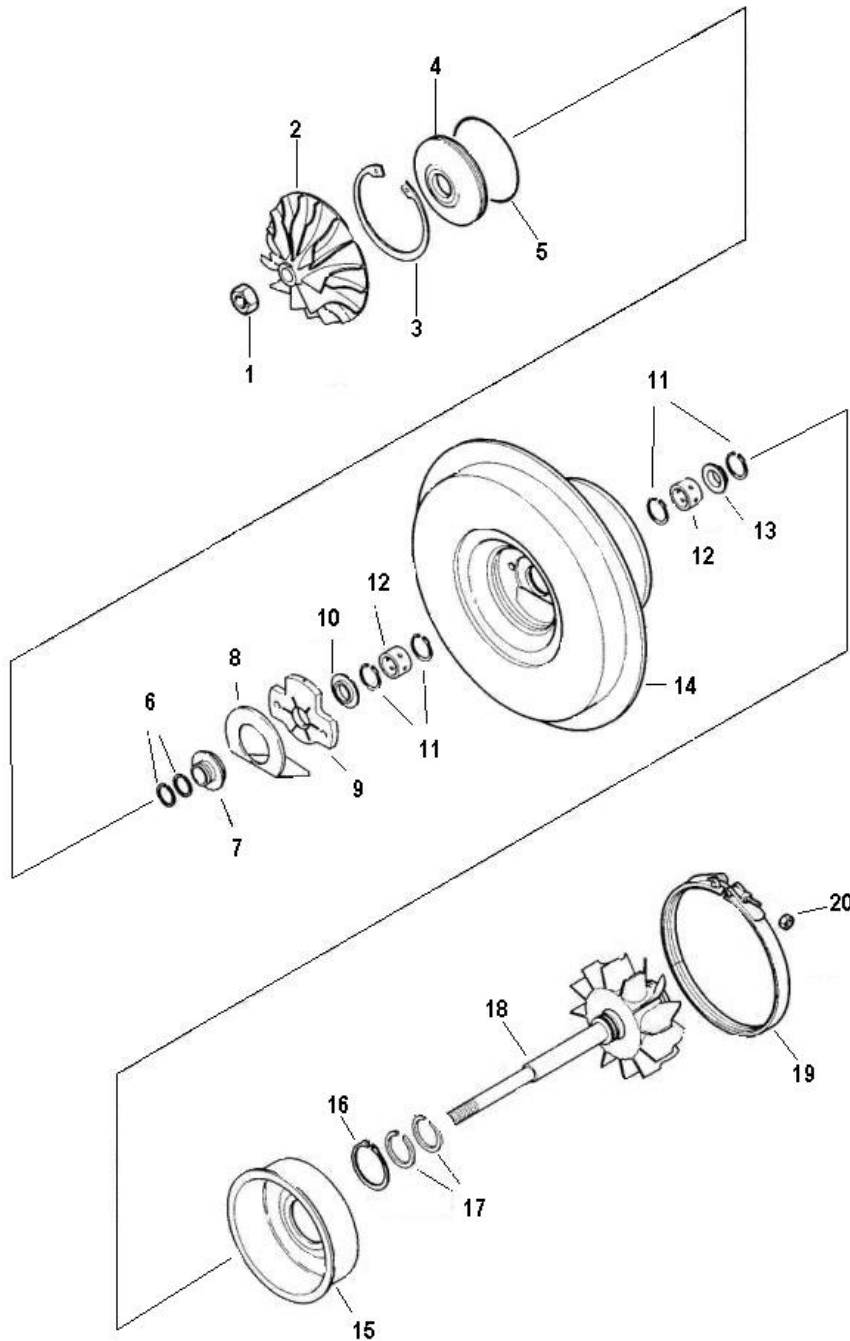


Holset HX60 HX60W Type Turbos

Common Service Parts
Oversize Service Parts

Holset HX60/HX60W Type

Common Service Parts



This illustration is a guide and does not necessarily show all parts accurately

Holset HX60 / HX60W Type

Repair Parts & Service Kits

All parts are available for purchase as individual components or in the following popular Repair Kits

Key	Part Description	MELETT Part Number	OE Number	Quantity Per Turbo	Repair kit HX60/HX60W 1153-060-750
12	Journal Bearing	1250-040-100	22366	2	2
11	Snap Ring (Bearing Retainer)	1301-036-140	9510	4	4
3	Snap Ring (Insert Retainer)	1250-403-140	23863	1	1
16	Snap Ring (Heat Shield)	1153-060-145	18373	1	1
6	O Ring (Seal Plate)	1250-030-150	51948	1	1
-	O Ring (Comp. Hsg)	1153-060-155	3535109	1	1
17	Piston Ring 0.885" (T) Step	1150-400-160	3521441	2	2
6	Piston Ring 0.750" (C)	1152-303-170	3521442	2	2
7	Thrust Flinger	N/A	3531916	1	
10	Thrust Collar	N/A	3531776	2	
13	Oil Control Sleeve	1252-040-260	57753	1	
9	Thrust Bearing	1153-060-320	4038358	1	1
1	Shaft nut (LH)	1152-105-351	3519535	1	1
-	Lock washer	1152-303-580	3521119	10	10
20	Lock nut v band	1153-050-645	3529372	2	2
4	Insert Seal Plate	N/A	3531917	1	
8	Oil Deflector	N/A	3532501	1	

**Replace
3545345
4027880**

Oversize Repair Parts Available

Journal Bearings		
OE Part Number: 22366		
Oversize's Available		Part Number
OD +.010"	ID -.010"	1250-040-120
OD +.010"	ID Std	1250-040-124
OD Std.	ID -.010"	1250-040-127

Piston Rings			
OE Part Number 3521441			
Oversizes Available – Turbine & Comp End			
Description	OD	Width	Part Number
Step bore ring 0.885"	+0.010"	Std	1150-400-180
Step bore ring 0.885"	Std	+0.010"	1150-400-185
Compressor ring 0.750"	+0.010"	Std	1150-400-181
Compressor ring 0.750"	+0.020"	Std	1150-400-182
Compressor ring 0.750"	Std	+0.006"	1150-400-183