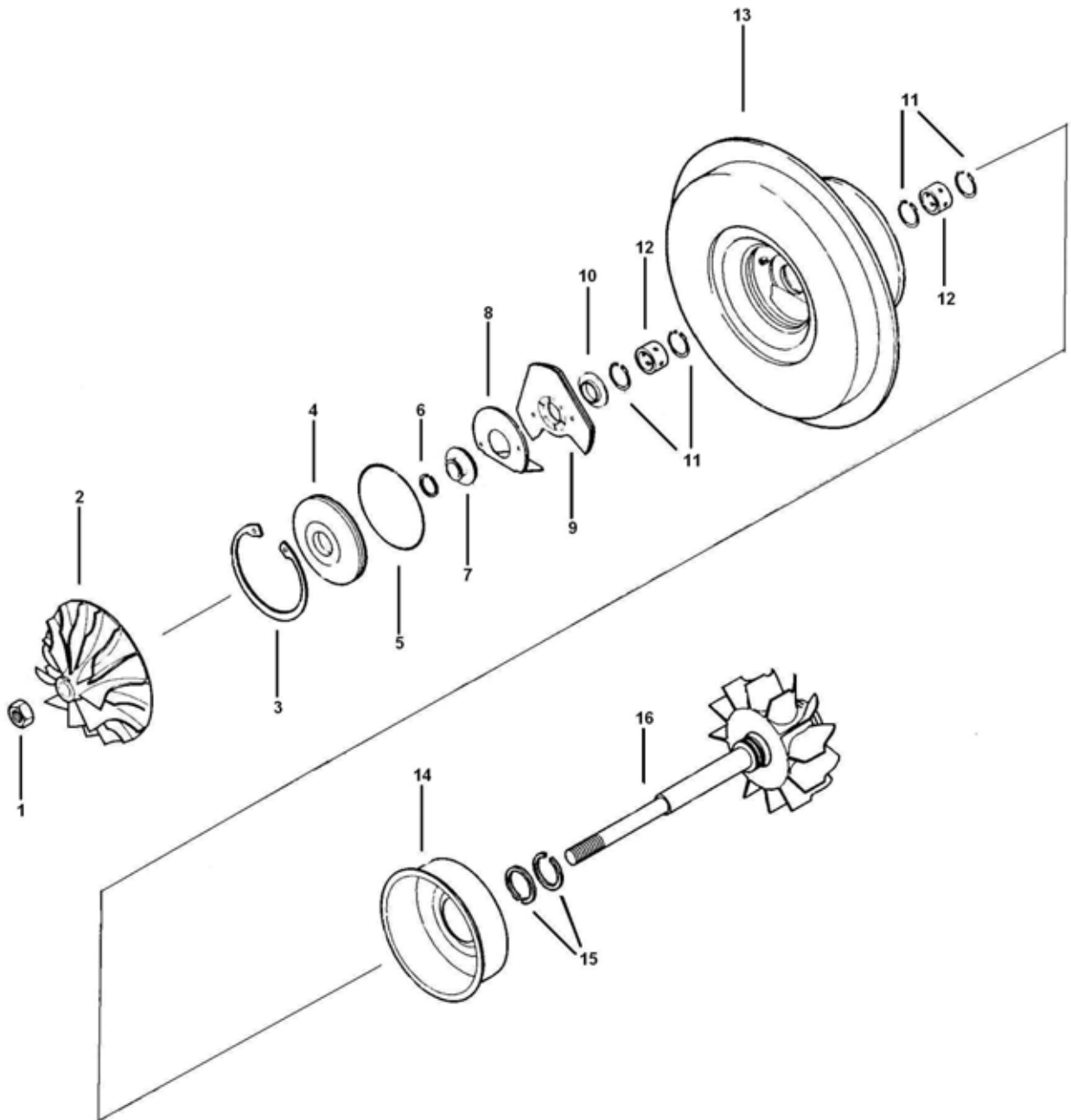


Holset HX55 Type Turbos

Common Repair Parts
Oversize Repair Parts

HX55 Type

Component Parts Common



HX55 Type

Repair Parts & Service Kits

All parts are available for purchase as individual components or in the following popular Repair Kits

Key	Part Description	OEM Part Number	MELETT Part Number	Quantity Per Turbo	Repair Kit HX55 1153-055-750
12	Bearing (HX55)	3534833	1153-055-100	2	2
11	Retaining ring (bearing)	9510	1301-036-140	4	4
3	Insert Retaining Ring	23863	1250-403-140	1	1
5	O' Ring (Brg Hsg)	62915	1152-302-150	1	1
15	Piston Ring (Turb)	3521441	1150-400-160	2	2
6	Piston Ring (Comp)	58848	1152-302-170	1	1
7	Thrust Flinger	3502231	n/a	1	
10	Thrust Collar	3529162	n/a	1	
4	Insert	3528096	n/a	1	
8	Oil Deflector	3528094	n/a	1	
9	Thrust Bearing	3591655	1153-050-320	1	1
1	Shaft Nut	60250	1153-050-350	1	1
-	Bolt	59917	1301-027-600	6	6
-	V Clamp nut	3529372	1153-050-645	1	2
					Replace 3575181 3580762

Oversize Repair Parts Available

Journal Bearings		
Original Holset Part Number (Std/Std): 3534833		
Oversize's Available		Part Number
OD +.010"	ID -.010"	1153-055-120
OD +.010"	ID Std	1153-055-124
OD Std.	ID -.010"	1153-055-127

Piston Rings		
Original Holset Part Number (Turb End): 3521441		
Oversize's Available		Part Number
Turbine End		
OD +.010	Wth Std	1153-055-180
OD Std	Wth +.010	n/a
OD +.010	Wth +.010	n/a