

Holset

HX35 / HX35W

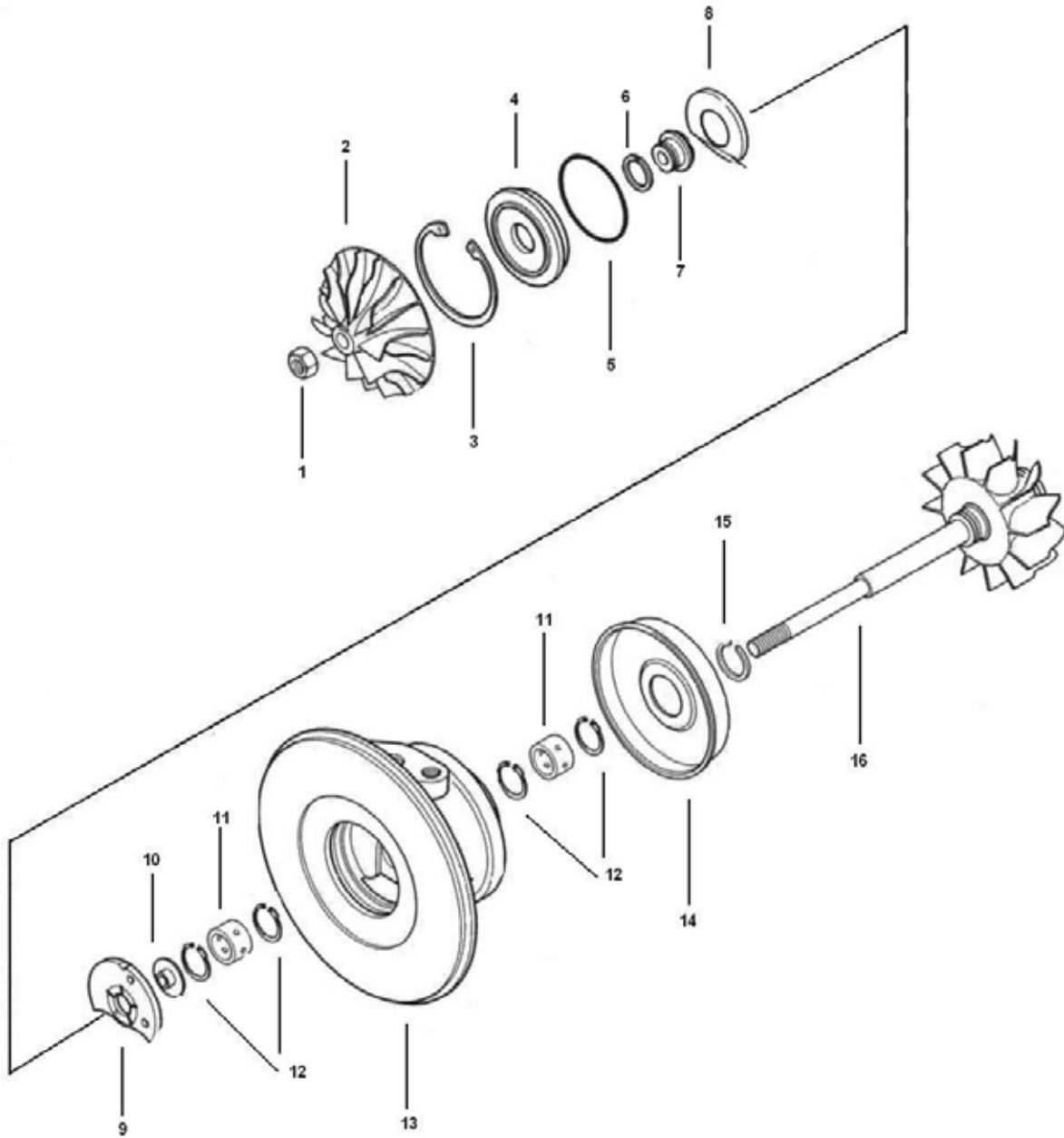
HX40 / HX40W

Type Turbos

Common Repair Parts
Oversize Repair Parts
Major Replacement Parts
(Shaft & Wheels, Comp. Wheels etc.)

HX35/40 Type

Component Parts Common



HX35/40 Type

Repair Parts & Service Kits

All parts are available for purchase as individual components or in the following popular Repair Kits

Key	Part Description	MELETT Part Number	OE Number	Repair Kit HX35/40 1153-035-750	Repair Kit HX35W 1153-035-751
11	Bearing (Std/Std)	1152-301-100	3503100	2	2
12	Retaining Ring (Bearing)	1152-301-140	62259	4	4
3	Retaining Ring	1153-030-145	3527566	1	1
5	'O' Ring - Seal Plate	1153-035-150	3528933	1	1
-	'O' Ring - Comp Cover	1153-035-155	3523275	1	1
15	Piston Ring (Turb)	1152-302-160	56754	1	
15	Piston Ring Turb. end	1153-050-160	3536143		2
6	Piston Ring (Comp)	1152-302-170	58848	1	1
7	Thrust Flinger	1153-035-200	3530924		
10	Thrust Collar	1153-035-240	3532217		
8	Oil Deflector	1153-035-310	3528104	1	1
9	Thrust Bearing	1153-035-320	3531419	1	1
1	Shaft Nut	1152-301-351	3596402	1	1
-	Bolt T/Hsg	1153-035-600	59917	6	6
				Replace 3575169	Replace 4027448

Oversize Repair Parts Available

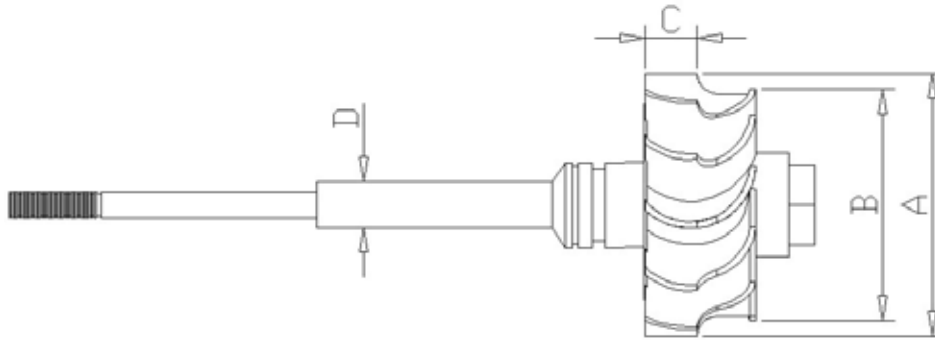
Journal Bearings		
Original Holset Part Number (Std/Std): 3503100		
Oversize's Available		Part Number
OD +.010"	ID -.010"	1152-301-120
OD +.010"	ID Std	1152-301-124
OD Std.	ID -.010"	1152-301-127

Piston Rings		
Original Holset Part Number (Turb End): 56754		
Oversize's Available		Part Number
Turbine End		
OD +.010	Wth Std	1152-302-180
OD Std	Wth +.010	1152-302-181
OD +.010	Wth +.010	1152-302-182

HX35/40 Type

Major Replacement Parts - Detail

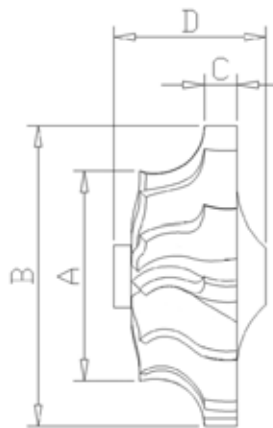
Shaft & Wheel



Melett Part No.	To replace	(A) Inducer \varnothing mm's	(B) Exducer \varnothing mm's	(C) Tip width mm's	(D) Shaft OD
1152-301-435	3519336	70.0	59.94	10.67	10.972 – 10.98
1152-301-436	3522879	76.0	64.0	10.0	10.972 – 10.98
1152-301-437	3522880	76.0	67.0	12.25	10.972 – 10.98

Dimension for shaft diameter 'D' are minimum – maximum allowable limits for use with the standard journal bearing. Melett's fully qualified Engineers are available to answer any technical enquiry regarding limits, tolerances, and turbo set-up configurations. Email: Engineer@melett.com

Compressor Wheel



Melett Part No.	To replace	(A) Inducer \varnothing mm's	(B) Exducer \varnothing mm's	(C) Tip width mm's	(D) Overall Height mm's	No. of Blades
1152-301-400	3537147	82.98	51.97	6.4	39.07	16
1152-301-401	3537151	83.06	53.98	5.94	39.12	16
1152-301-402	3537150	83.06	45.97	5.08	39.12	16