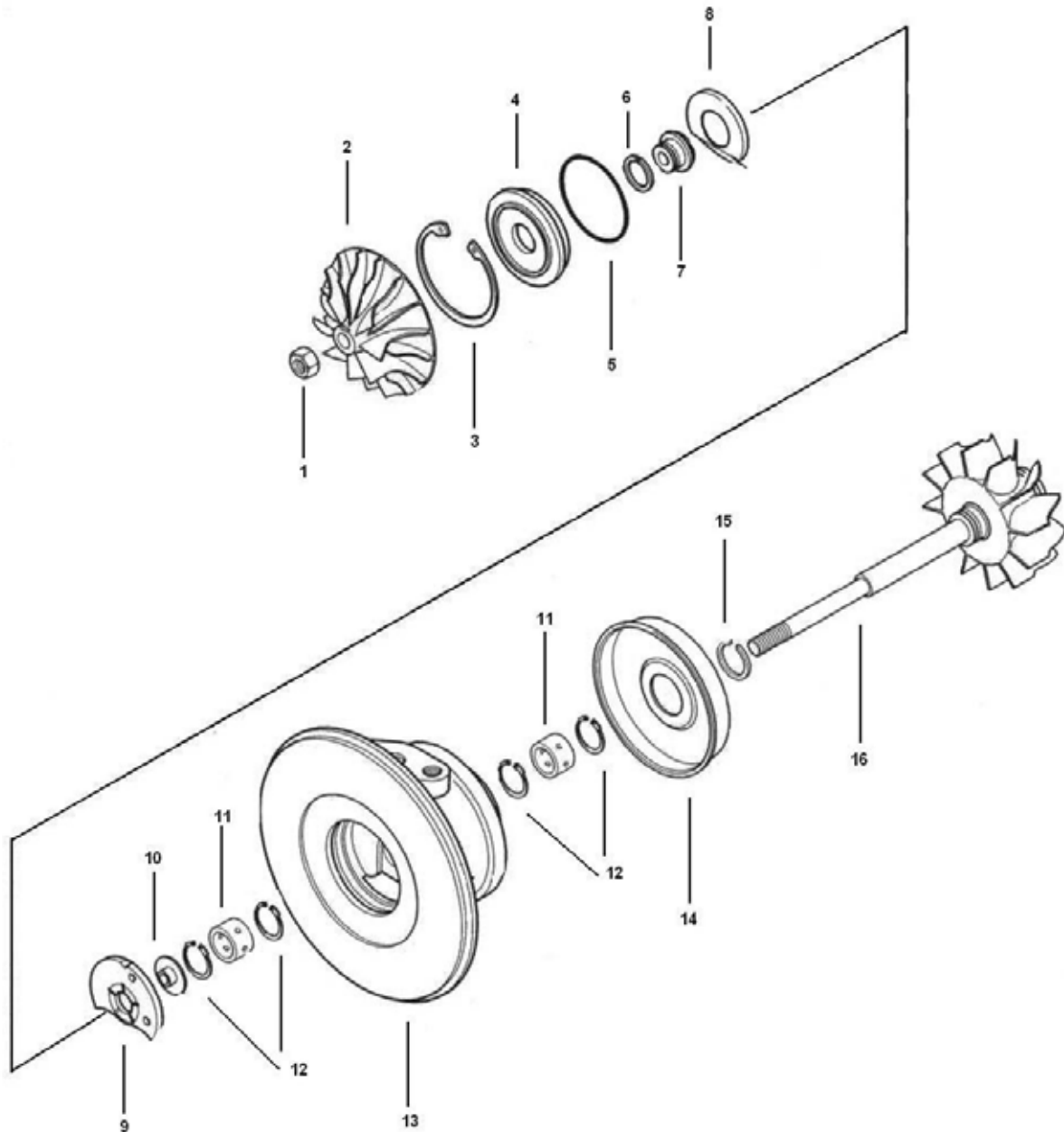


Holset HX30 / HX30W Type Turbos

Common Repair Parts
Oversize Repair Parts

HX30 Type

Component Parts Common



HX30 Type

Repair Parts & Service Kits

All parts are available for purchase as individual components or in the following popular Repair Kits

Key	Part Description	MELETT Part Number	OE Number	Repair Kit HX30 1153-030-750
11	Bearing (Std/Std)	1152-301-100	3503100	2
12	Retaining Ring (Bearing)	1152-301-140	62259	4
3	Retaining Ring	1153-030-145	3527566	1
9	Thrust Bearing	1153-030-320	3531419	1
15	Piston Ring (Turb)	1152-302-160	56754	1
6	Piston Ring (Comp)	1152-302-170	58848	1
-	V Band Nut	1153-030-645	3592050	1
5	'O' Ring - Seal Plate	1153-035-150	3528933	1
1	Shaft Nut	1152-301-351	3596402	1
8	Oil Deflector	1153-035-310	3528104	1
				Replace 3575205

Oversize Repair Parts Available

Journal Bearings		
Original Holset Part Number (Std/Std): 3503100		
Oversize's Available		Part Number
OD +.010"	ID -.010"	1152-301-120
OD +.010"	ID Std	1152-301-124
OD Std.	ID -.010"	1152-301-127

Piston Rings		
Original Holset Part Number (Turb End): 56754		
Oversize's Available		Part Number
Turbine End		
OD +.010	Wth Std	1152-302-180
OD Std	Wth +.010	1152-302-181
OD +.010	Wth +.010	1152-302-182