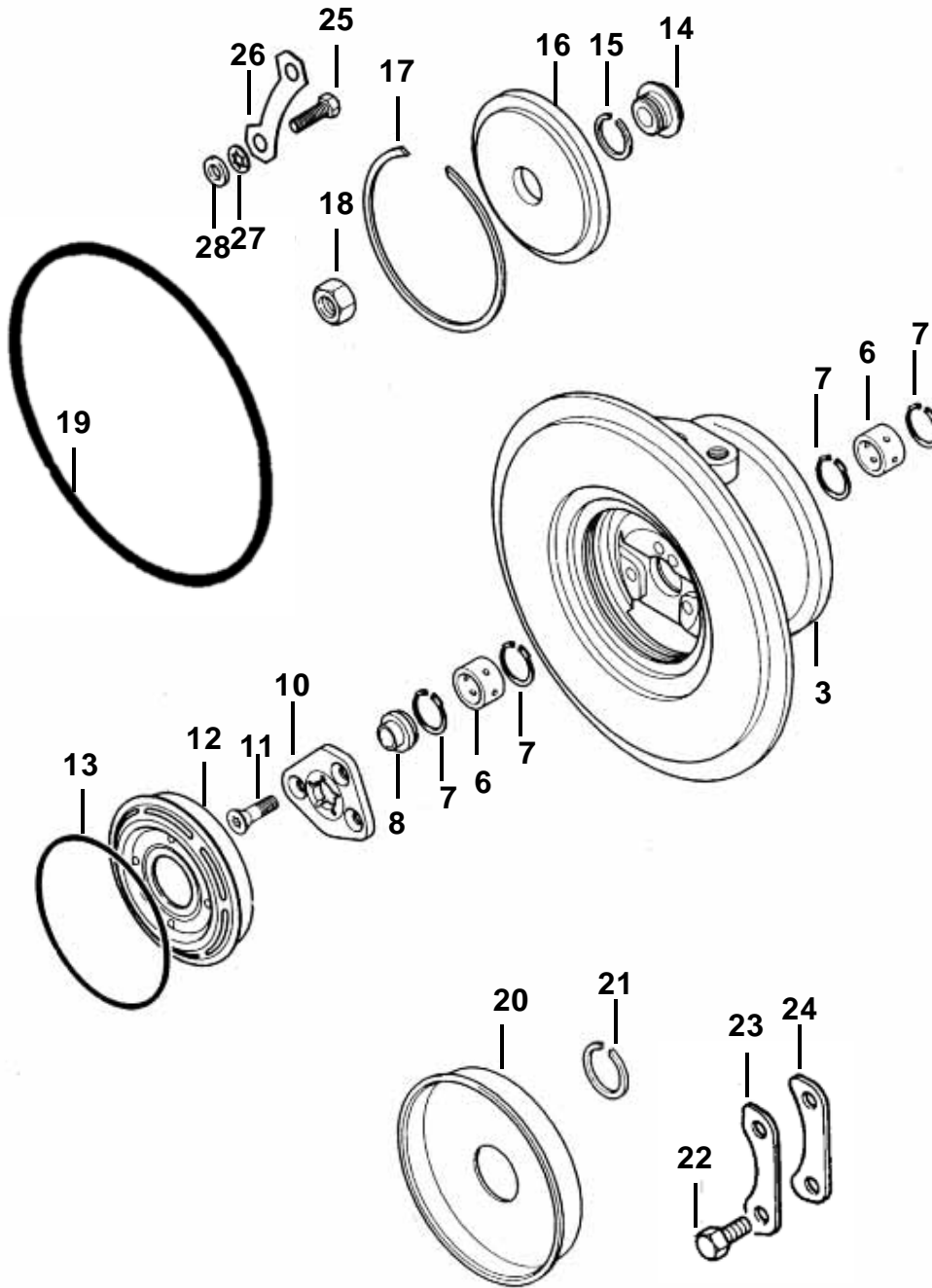


Holset H2B/C/D/E Type Turbos

Common Service Parts
Oversize Service Parts

H2B/C/D/E Type

Component Parts Common



This illustration is a guide and does not necessarily show all parts accurately

H2B/C/D/E Type

Repair Parts & Service Kits

All parts are available for purchase as individual components or in the following popular Repair Kits

Key	Part Description	MELETT Part Number	Qty Per Turbo	Repair Kit 1152-302-750
6	Bearing (Std)	1152-302-100	2	2
7	Snap Ring	1152-302-140	4	4
13	"O" Ring (Bearing Hsg.)	1152-302-150	1	1
21	Piston Ring (Turb)	1152-302-160	1	1
15	Piston Ring (Comp)	1152-302-170	1	1
8	Thrust Collar	N/A	1	
10	Thrust Bearing	1152-302-320	1	1
23	Lock Plate	1152-302-520	3	3
11	Screw (Thrust brg)	1152-301-620	3	3
12	Oil Deflector	N/A	1	
14	Oil Flinger	N/A	1	
16	Insert	N/A	1	
17	Insert Retaining Ring	N/A	1	
18	Shaft Nut	N/A	1	
19	"O" Ring (Seal Plate / Comp Hsg.)	N/A	1	
22	Turbine Hsg Bolt	1152-302-600	6	6
24	Clamp Plate		3	
25	Bolt	N/A	8	
26	Clamp Plate	N/A	4	
27	Lock Washer	N/A	8	
28	Washer	N/A	8	
				Similar to 3545653

Oversize Repair Parts Available

Journal Bearings		
Original Holset Part Number (Std/Std): 3504413		
Oversize's Available		Part Number
OD +.010"	ID -.010"	1152-302-120
OD +.010"	ID Std	1152-302-124
OD Std.	ID -.010"	1152-302-127

Piston Rings		
Original Holset Part Number (Turb End): 56754		
Oversize's Available		Part Number
Turbine End		
OD +.010	Wth Std	1152-302-180
OD Std	Wth +.010	1152-302-181
OD +.010	Wth +.010	1152-302-182