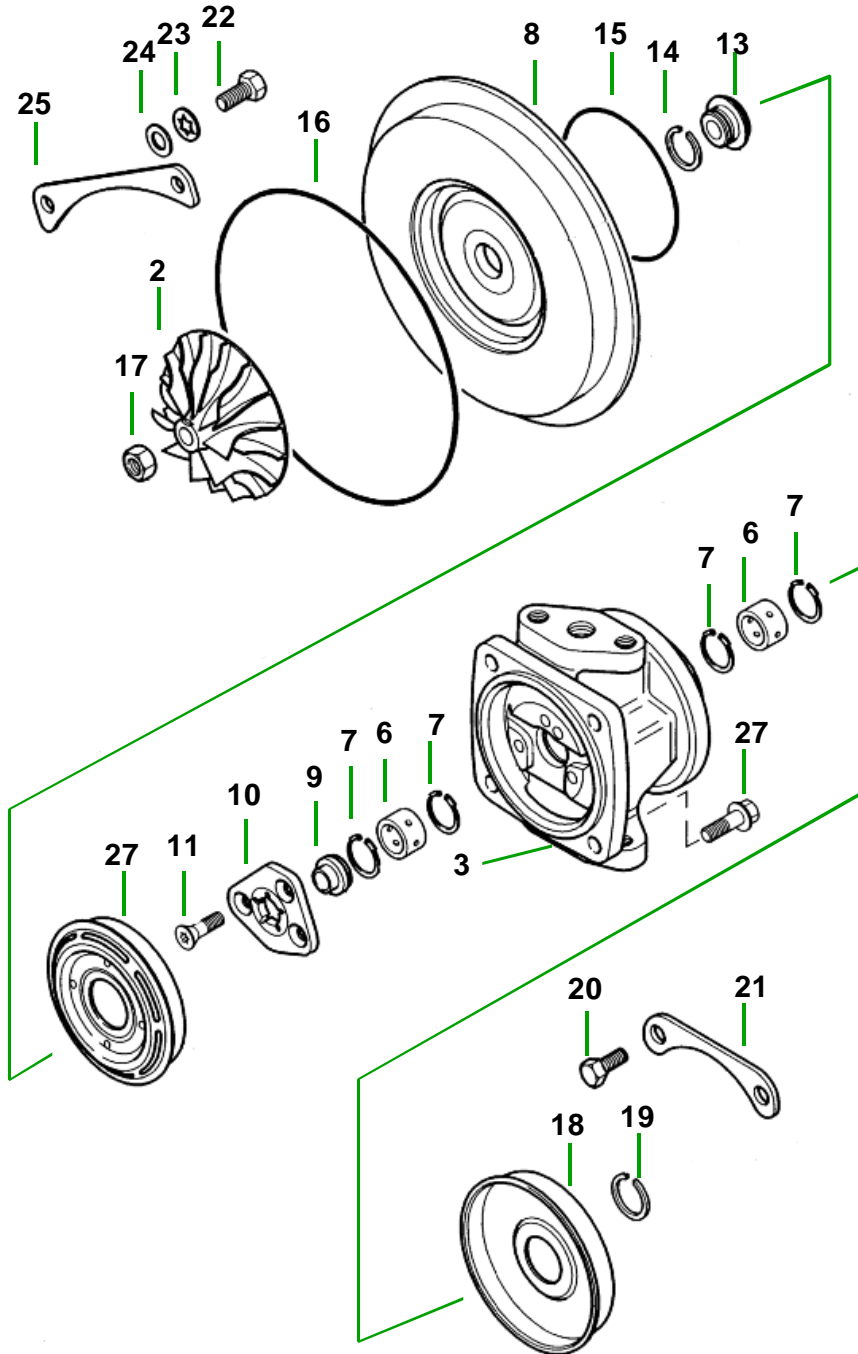


Holset H1B H1C / H1D / H1E H2A Type Turbos

Common Repair Parts
Oversize Repair Parts
Major Replacement Parts
(Shaft & Wheels, Comp. Wheels etc.)

H1B, H1C/D/E & H2A Type

Component Parts Common



This illustration is a guide and does not necessarily show all parts accurately

H1B, H1C/D/E & H2A Type

Repair Parts & Service Kits

All parts are available for purchase as individual components or in the following popular Repair Kits

Key	Part Description	MELETT Part Number	Qty Per Turbo	Minor Kit 1152-301-750	Major Kit 1152-301-755	Repair Kit (H1B) 1152-301-751
6	Bearing (Std)	1152-301-100	2	2	2	2
7	Retaining Ring (Bearing)	1152-301-140	4	4	4	4
	"O" Ring (Bearing Hsg – H1B)	1152-201-150	1			1
15	"O" Ring (Bearing Hsg)	1152-301-150	1	1	1	
19	Piston Ring (Turb)	1152-302-160	1	1	1	1
14	Piston Ring (Comp)	1152-302-170	1	1	1	1
13	Thrust Flinger H1C	1152-301-200	1		1	
9	Thrust Collar H1C	1152-301-240	1		1	
10	Thrust Bearing H1C	1152-301-320	1	1	1	
10	Thrust Bearing H2C	1152-302-320	1			1
16	"O" Ring (Seal Plate / Comp Hsg.)	1152-301-155	1			
17	Shaft Nut	1152-301-351	1	1	1	
27	Bolt (diffuser)	1152-301-561	4	4	4	
11	Screw (Thrust Brg)	1152-301-620	3	3	3	3
	Locknut (V-band)	1100-120-645	1	1	1	
				Similar to 4027309	Similar to 3545399 + Flinger	Similar to 3545651

Oversize Repair Parts Available

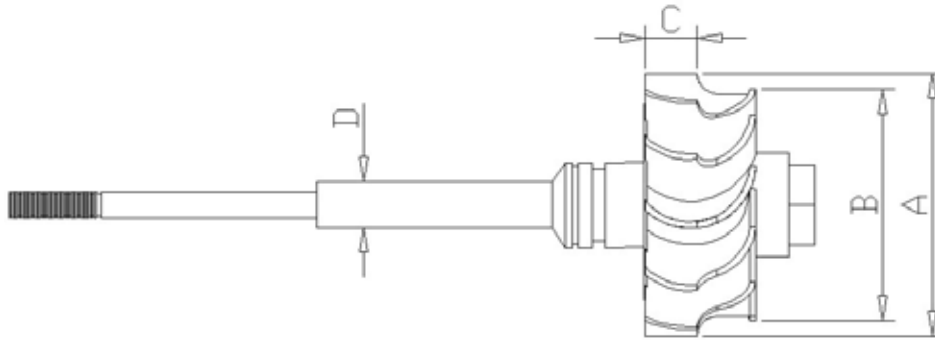
Journal Bearings		
Original Holset Part Number (Std/Std): 3503100		
Oversize's Available		Part Number
OD +.010"	ID -.010"	1152-301-120
OD +.010"	ID Std	1152-301-124
OD Std.	ID -.010"	1152-301-127

Piston Rings		
Original Holset Part Number (Turb End): 56754		
Oversize's Available		Part Number
Turbine End		
OD +.010	Wth Std	1152-302-180
OD Std	Wth +.010	1152-302-181
OD +.010	Wth +.010	1152-302-182

H1B, H1C/D/E & H2A Type

Major Replacement Parts - Detail

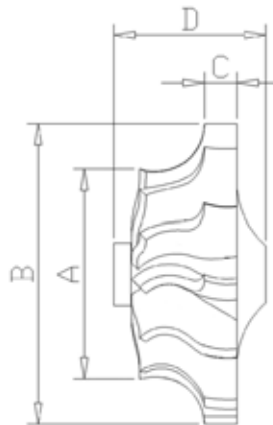
Shaft & Wheel



Melett Part No.	To replace	(A) Inducer ø mm's	(B) Exducer ø mm's	(C) Tip width mm's	(D) Shaft OD
1152-301-435	3519336	70.0	59.94	10.67	10.972 – 10.98
1152-301-436	3522879	76.0	64.0	10.0	10.972 – 10.98
1152-301-437	3522880	76.0	67.0	12.25	10.972 – 10.98

Dimension for shaft diameter 'D' are minimum – maximum allowable limits for use with the standard journal bearing. Melett's fully qualified Engineers are available to answer any technical enquiry regarding limits, tolerances, and turbo set-up configurations. Email: Engineer@melett.com

Compressor Wheel



Melett Part No.	To replace	(A) Inducer ø mm's	(B) Exducer ø mm's	(C) Tip width mm's	(D) Overall Height mm's	No. of Blades
1152-301-400	3599638	82.98	51.97	6.4	39.07	16
1152-301-401	3599642	83.06	53.98	5.94	39.12	16
1152-301-402	3599641	83.06	45.97	5.08	39.12	16