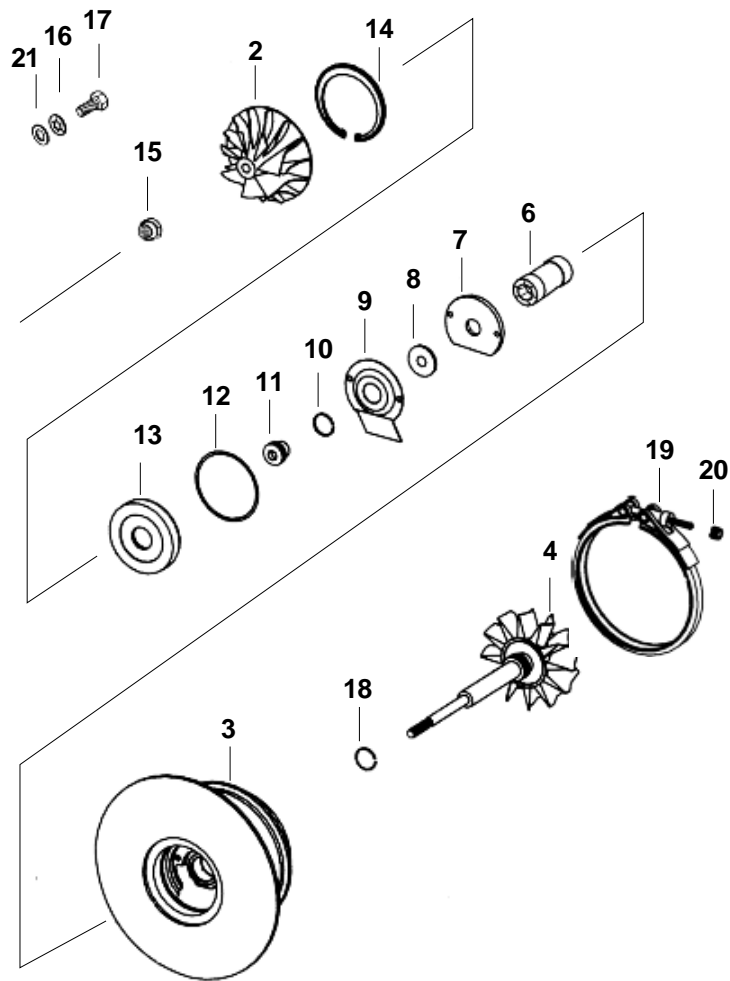


Holset / Schwitzer / KKK 3LD Type Turbos

Common Service Parts
Oversize Service Parts
Shaft and Wheels
Compressor Wheels

Holset / Schwitzer / KKK 3L Type Common Service Parts



Holset / Schwitzer / KKK 3L Type

Repair Parts & Service Kits

All parts are available for purchase as individual components or in the following popular Repair Kits

	Part Description	MELETT Number	Qty Per Turbo	Repair Kit Smooth bore 1150-403-750	Repair Kit Step bore 1150-403-751	Repair Kit Step/Smooth 1150-403-754
6	Bearing (Standard)	1150-403-100	1	1	1	1
7	Thrust Bearing	1250-403-320	1	1	1	1
8	Thrust Ring	1250-403-240	1	1	1	1
9	Oil Deflector	1250-403-310	1			
10	Piston Ring (Comp)	1150-400-170	1	1	1	1
11	Flinger	1250-403-200	1			
12	O' Ring	1250-030-150	1	1	1	1
13	Insert	1250-403-300	1			
14	Insert Retaining Ring	1250-403-140	1	1	1	1
15	Shaft Nut	1250-403-351	1	1	1	1
16	Washer	N/A	8			
17	Bolt UNC	1250-403-561	8			
17	Bolt Metric	N/A	8			
	Clamp Plate	1301-027-500	4			
18	Piston Ring (turb) 0.875" (Smooth)	1150-400-170	2	2		2
18	Piston Ring (turb) 0.885" (Step)	1150-400-160	1		1	2
19	"V" Clamp	1250-403-645	1			
20	Nut	1100-120-645	1			1
21	Spring Washer	1301-027-580	8			8
	Gasket, Turbine inlet	1900-000-006	1	Gaskets are available for sale separately if required		
	Gasket, Oil outlet	1900-000-026	1			
	Gasket, Oil inlet	1900-000-036	1			
				Replace 3545658	Replace 3545657	

Oversize Repair Parts Available

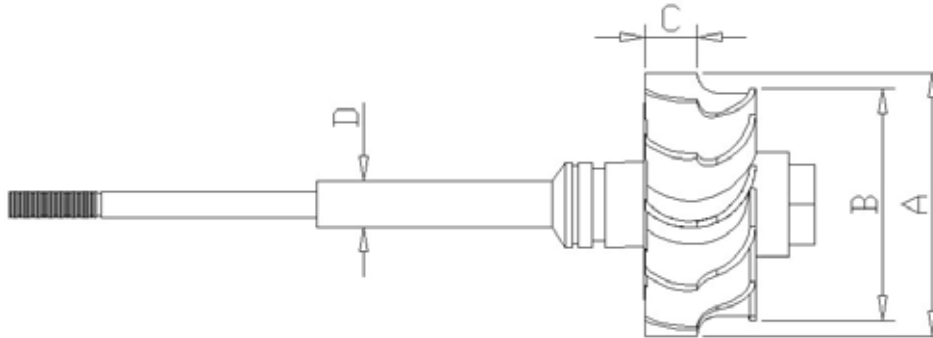
Journal Bearings		
OE Part Number: 51140		
Oversize's Available		Part Number
OD +.010"	ID -.010"	1150-403-120
OD +.010"	ID Std	1150-403-124
OD Std.	ID -.010"	1150-403-127

Piston Rings		
Oversizes Available – Turbine End (Step Bore) Original OE No. (Std/Std): 3521441		
OD	Width	Part Number
+0.010"	Std	1150-400-180
Std	+0.010"	1150-400-185

Holset / Schwitzer / KKK 3L Type

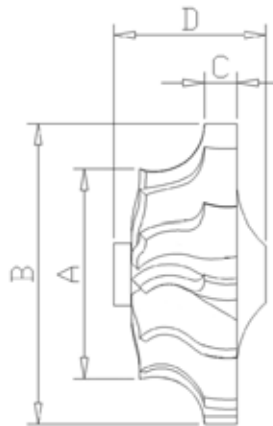
Major Replacement Parts - Detail

Shaft & Wheel



Melett Part No.	To replace	Trim	(A) Inducer \varnothing mm's	(B) Exducer \varnothing mm's	(C) Tip width mm's	(D) Shaft OD	Shaft Length (Comp wheel) mm's
1250-403-435	55791	-	75.6	61.1	9.5	12.192-12.200	

Compressor Wheel



Melett Part No.	To replace	Trim	(A) Inducer \varnothing mm's	(B) Exducer \varnothing mm's	(C) Tip width mm's	(D) Total Hub Length	No. of Blades
1250-403-426	Holset 51217	3LD-1	54.61	82.55	5.72	28.58	12
1250-403-426	Schwitzer 146594	3LD-1	54.61	82.55	5.72	28.58	12