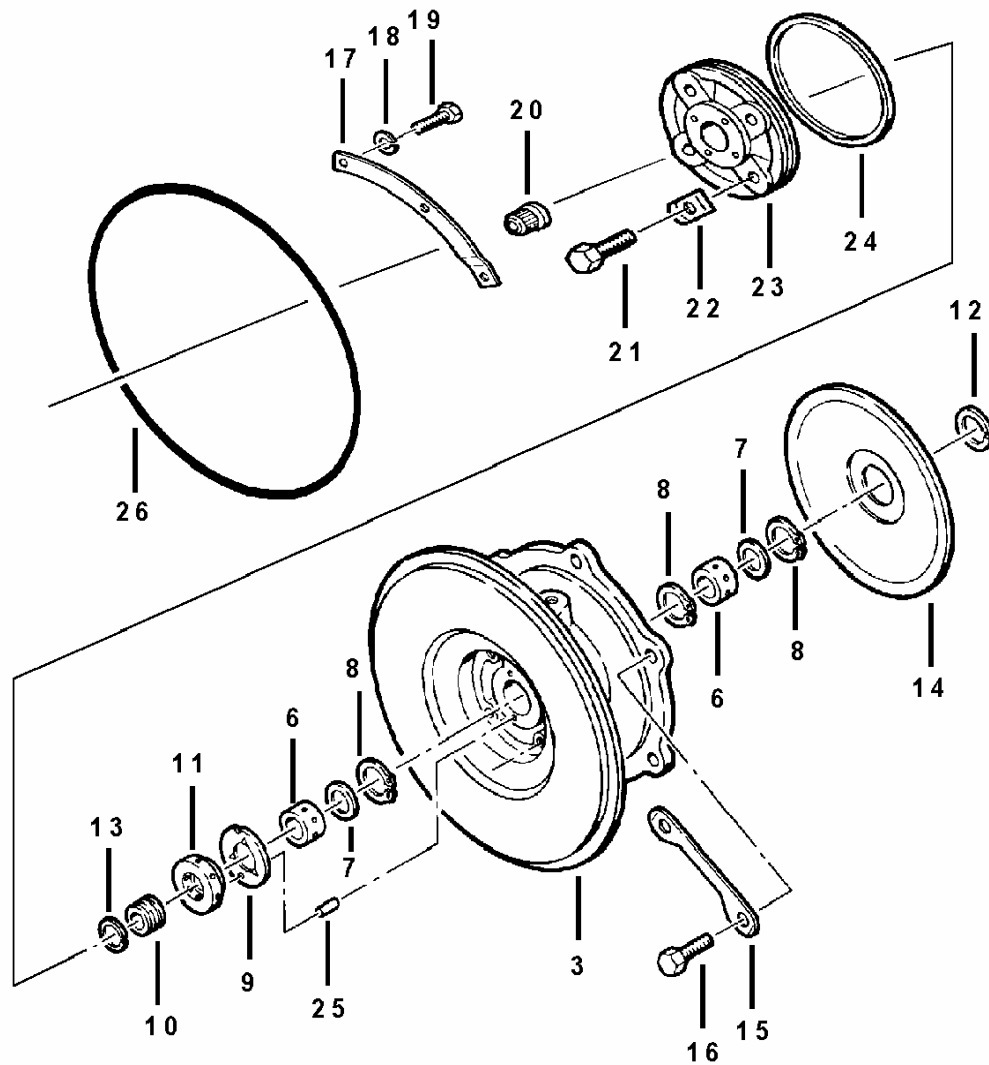


Garrett T18A Type Turbos

Common Service Parts
Oversize Service Parts

T18A Type

Common Service Parts



T18A Type

Repair Parts & Service Kits

All parts are available for purchase as individual components or in the following popular Repair Kits

Key	Part Description	MELETT	OE	Contents of	Service Kit	Service Kit	Service Kit
		Part Number	Part Number	OE Kit	T18A Minor	T18A Major	T18A Major
				468107-0000	1100-181-750	1100-181-751	1100-181-752
6	Journal Bearing (Std/Std)	1100-180-100	441411-0001	2	2	2	2
8	Retaining Ring J-Brg	1100-180-140	400408-0000	3	3	3	3
12	Piston Ring (T/End)	1100-180-160	408049-0007	1	1	1	1
13	Piston Ring (C/End)	1100-045-170	403818-0047	2	2	2	2
9	Thrust Washer	1100-180-190	407135-0000	2	2	2	2
11	Thrust Collar (3/8" Shaft)	1101-061-200	444834-0000				1
11	Thrust Collar (7/16" Shaft)	1101-083-200	444834-0001			1	
10	Thrust Spacer (3/8" Shaft)	1100-180-220	408768-0001				1
10	Thrust Spacer (7/16" Shaft)	1100-180-222	408662-0001			1	
9	Thrust Bearing	1100-180-320	449886-0000	1	1	1	1
20	Shaft Nut 3/8" x 24	1100-180-350	400768-0013	1	1		1
24	O-Ring	1100-181-150	400424-0001	1	1	1	1
20	Shaft Nut 7/16" x 20	1100-181-350	400768-0014	1	1	1	
22	Lock Plate	1100-181-520	404223-0000	4			
	Lock Plate	1100-181-550	407648-0002	4	4	4	4
21	Bolt	1100-040-560	400450-0001	8	8	8	8
	Clamp Plate	N/A	407403-0000	4			
	Bolt	N/A	400805-0305	4			
					similar to 468107-0	7/16" Shaft	3/8" Shaft

Oversize Repair Parts Available

Journal Bearings		
OE Std/Std: 441411-0001		
Oversize's / Undersize's Available		Part Number
OD +.005"	ID -.005"	1100-180-110
OD +.005"	ID Std	1100-180-114
OD Std.	ID -.005"	1100-180-117
OD +.010"	ID -.010"	1100-180-120
OD +.010"	ID Std	1100-180-124
OD Std	ID -.010"	1100-180-127
OD +.010"	ID -.005"	1100-180-131
OD +.015"	ID Std	1100-180-135

Piston Rings		
Compressor End		
OE part Number (Std): 403818-0047		
Oversize's Available		Part Number
OD +.010"	Wth Std	1100-045-185
OD +.020"	Wth Std	1100-045-186