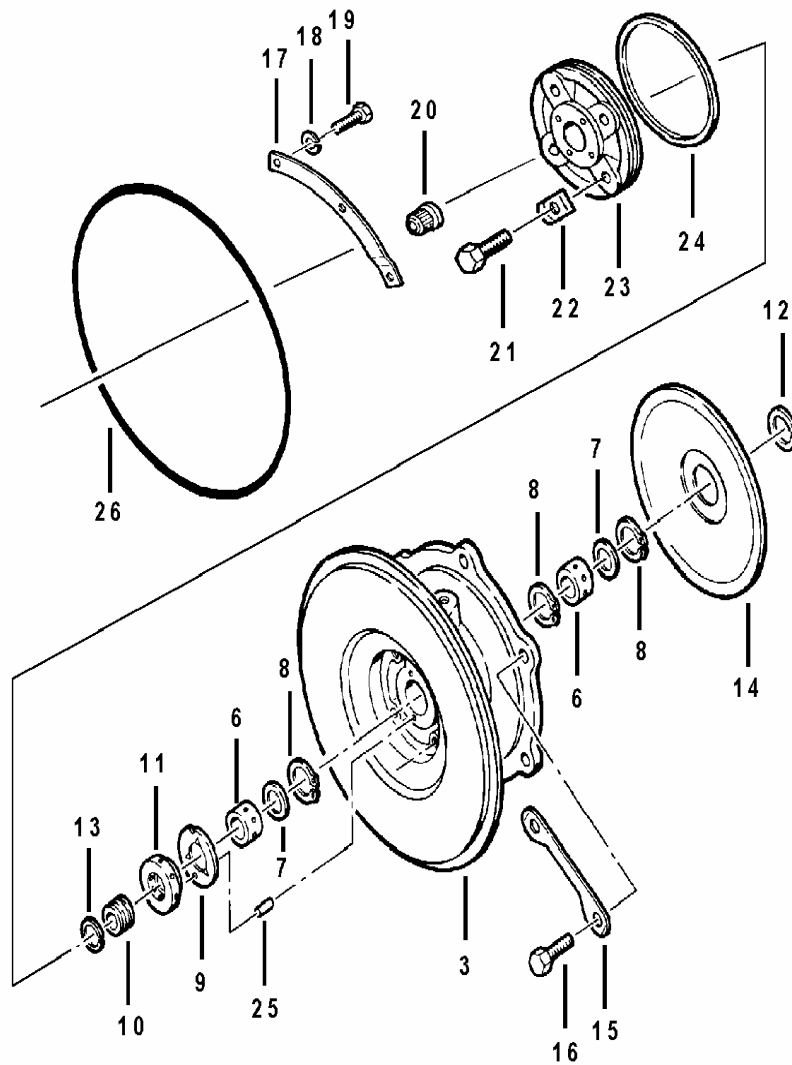


Garrett T18 Type Turbos

Common Service Parts
Oversize Service Parts
Major Replacement Parts

T18 Type

Common Service Parts



T18 Type

Repair Parts & Service Kits

All parts are available for purchase as individual components or in the following popular Repair Kits

Key	Part Description	MELETT Part Number	Qty Per Turb	Kit (Mini) Smooth Bore 1100-180-751	Kit (Mini) Step Bore 1100-180-752	Kit (Major) Smooth Bore 1100-180-753	Kit (Major) Step Bore 1100-180-754	Bearing Kit (1) 1100-180-775	
6	Bearing OD Std / ID Std	1100-180-100	2	2	2	2	2	2	
7	Bearing Wear Washer	1100-180-190	2	2	2	2	2	2	
8	Snap Ring	1100-180-140	3	3	3	3	3		
9	Thrust Washer	1100-180-320	1	1	1	1	1		
10	Thrust Spacer	1100-180-221	1			1	1		
11	Thrust Collar	1101-061-200	1			1	1		
12	Piston ring, 1.020" (T)	1100-180-161	1	1		1			
12	Piston ring, 1.030" (T)	1100-180-160	1		1		1		
13	Piston ring, 0.687" (C)	1100-045-170	2	2	2	2	2		
14	Heat Shroud, cast-type	1100-180-340	1						
15	Lock plate (T)	1100-180-520	3	3	3	3	3		
16	Bolt, 3/8"-16 x 3/4" (T)	1100-180-600	6	6	6	6	6		
17	Clamp Plate (C)	1100-180-500	6	6	6	6	6		
18	Lock washer, 5/16" I.D.	1100-180-580	12	12	12	12	12		
19	Bolt, 5/16"-18 X 3/4" (C)	1100-180-610	12	12	12	12	12		
20	Shaft Nut, 3/8"-24	1100-180-350	1	1	1	1	1		
21	Bolt, 10-24 X 7/8"	1100-180-620	4	4	4	4	4		
22	Lock tab, thrust plate	1100-180-550	4	4	4	4	4		
23	Thrust Plate Assembly	1100-180-300	1			1	1		
24	"O" Ring, thrust plate	1100-180-150	1	1	1	1	1		
25	Pin, bearing housing	1100-180-195	2						
26	O-Ring, comp. Hsg.	1100-180-155	1	1	1	1	1		
				Replace 468113-0000				Replace 468112-0000	Replace 408906-0000

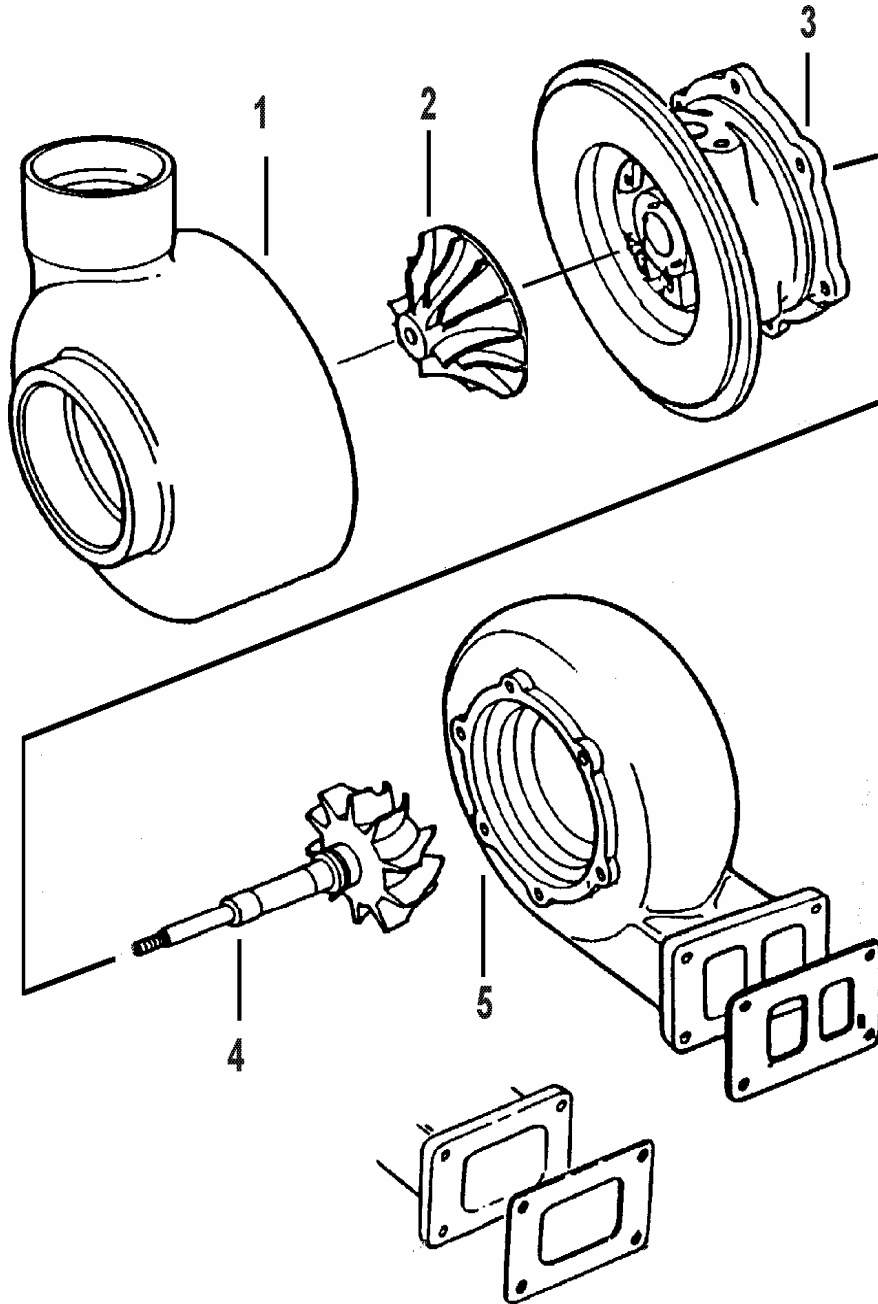
Oversize Repair Parts Available

Journal Bearings		
OE Std/Std: 441411-0001		
Oversize's / Undersize's Available		Part Number
OD +.005"	ID -.005"	1100-180-110
OD +.005"	ID Std	1100-180-114
OD Std.	ID -.005"	1100-180-117
OD +.010"	ID -.010"	1100-180-120
OD +.010"	ID Std	1100-180-124
OD Std	ID -.010"	1100-180-127
OD +.010"	ID -.005"	1100-180-131
OD +.015"	ID Std	1100-180-135

Piston Rings		
Compressor End		
OE part Number (Std): 403818-0047		
Oversize's Available		Part Number
OD +.010"	Wth Std	1100-045-185
OD +.020"	Wth Std	1100-045-186

T18 Type

Major Replacement Parts



This illustration is a guide and does not necessarily show all parts accurately

T18 Type Bearing Housing

Garrett Part Number	CAT Part Number	Melett Part Number	Description
407118-3/7	4N5650	1100-180-450	Bearing Housing

More T18 parts are available on request (Shaft & Wheels, Compressor Wheels) – please send enquiry so we can quote.