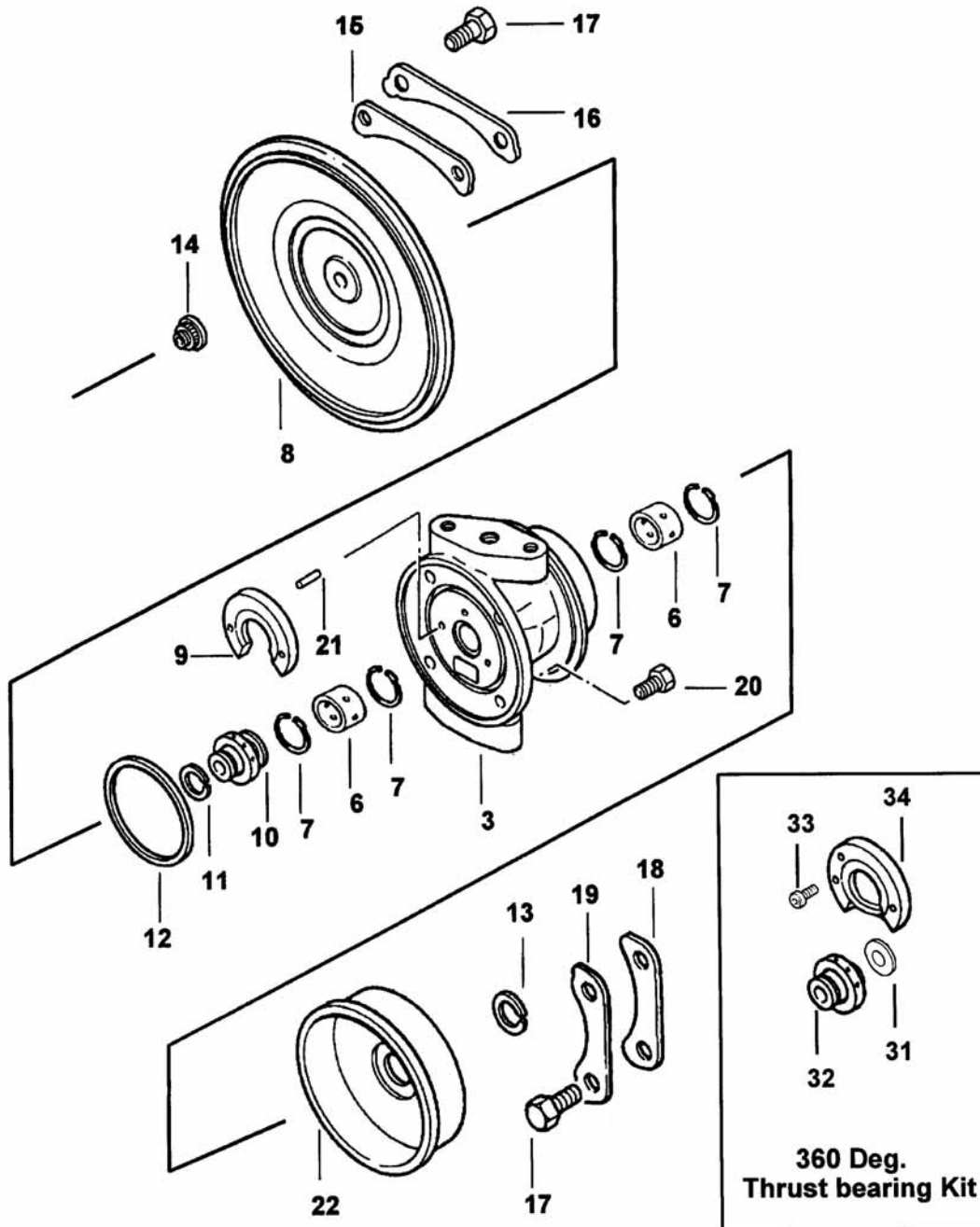


# Garrett T04S Type Turbos

Common Service Parts  
Upgrade Parts

# T04S Type

## Upgrade Parts Available



This illustration is a guide and does not necessarily show all parts accurately

## T04S Type

### Performance Parts & Upgrade Kits

As well as supplying the basic 360 degree kit, Melett also offers the following upgrade kits which offer excellent value for money in comparison to buying the individual piece parts.

Key	Part Description	MELETT Part Number	Qty per Turbo	Upgrade Kit 1100-041-751	Upgrade Kit 1100-041-750	Upgrade Kit 1100-041-752
6	Bearing, OD / ID Std	<b>1100-041-100</b>	2		2	2
7	Retaining Ring	<b>1100-041-140</b>	4		4	4
11	Piston Ring (Comp. End)	<b>1100-041-170</b>	1		1	1
12	"O" Ring, Seal Plate	<b>1100-040-150</b>	1		1	1
13	Piston Ring, 0.710" (T) Step Bore	<b>1100-040-160</b>	1		1	
14	Shaft nut (RHT)	<b>1100-120-350</b>	1		1	1
20	Bolt, 1/4" Micro Encapsulated	<b>1100-040-561</b>	4		4	4
	Piston Ring – Performance Step Gap	<b>1100-040-162</b>	1			1
31	Thrust Washer 360deg	<b>1100-041-751</b> <i>(see notes below)</i>	1	1	1	1
32	Thrust Collar 360deg		1	1	1	1
33	Screw 360deg		3	3	3	3
34	Thrust Brg 360deg		1	1	1	1

#### Notes

1. The 360 degree thrust kit is only sold as the 4-part kit (thrust bearing, collar, spacer and screws). All parts must be used together to give optimal performance.
2. 360 degree kit replaces standard thrust bearing and collar