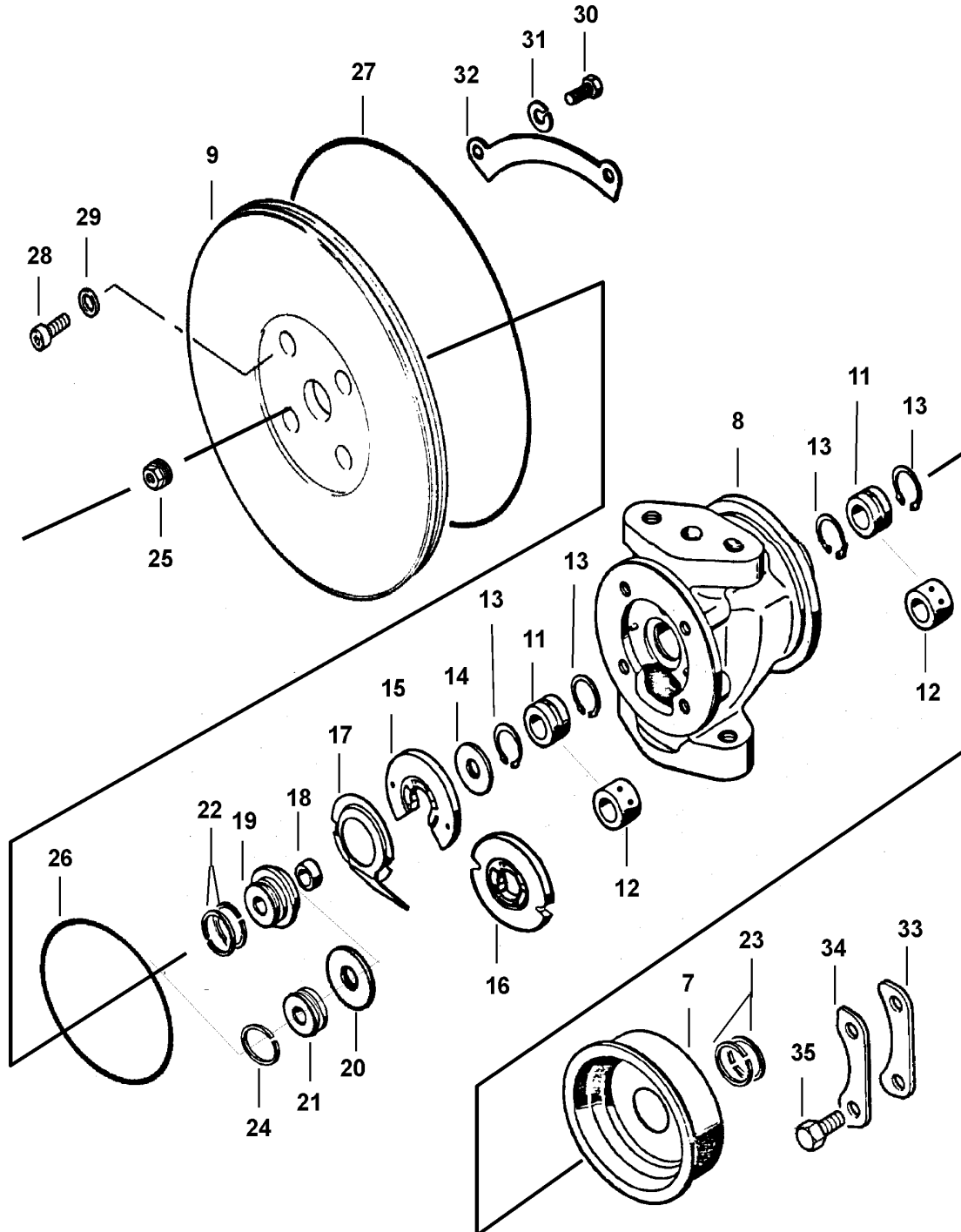


# Borg Warner K27 Type Turbos

Common Service Parts  
Oversize Service Parts  
Major Replacement Parts  
(Shaft & Wheels, Compressor Wheels etc)  
Core Assemblies

# K27 Type

## Common Service Parts



This illustration is a guide and does not necessarily show all parts accurately

## K27 Type Repair Parts & Service Kits

All parts are available for purchase as individual components *or* in the following popular Repair Kits

Key	Description	MELETT Number	Qty Per Turbo	Repair Kit 14&19mm 1301-027-750	Repair Kit 14mm 1301-027-751	Repair Kit 19mm 1301-027-753
12	Bearing (Smooth OD)	1301-027-100	2			
11	Bearing (Grooved OD)	1301-027-101	2	2	2	2
13	Snap Ring	1100-040-140	4	4	4	4
26	O Ring (B/Hsg to Seal Plate)	1250-030-150	1	1	1	1
27	O Ring (Seal/P to Comp/Hsg) Ø152mm - K26/27	1301-027-150	1	1	1	1
27	O Ring (Seal/P to Comp/Hsg) Ø175mm - K27/28	1301-027-151	1	1	1	1
27	O Ring (Seal/P to Comp/Hsg) Ø184.5mm - K27/28/29	1301-028-150	1	1	1	1
22	Piston Ring Ø19.3mm	1301-027-160	4/2	4	2	4
24	Piston Ring Ø14.0mm	1301-014-160	0/1	1	1	
19	Flinger Sleeve (19.3 P/R)	1301-027-200	1			
18	Spacer Sleeve (19.3 P/R)	1301-027-220	1			
14	Thrust Ring (19.3 P/R)	1301-027-240	1			
21	Flinger Sleeve (14.0 P/R)	N/A	1			
17	Oil Deflector	1301-027-310	1			
16	Thrust Bearing 360 Deg.	1301-027-321	1	1	1	1
25	Shaft Nut 6mm RHT	1301-027-350	1	1	1	1
25	Shaft Nut 7mm LHT	1301-027-351	1	1	1	1
33	Clamp Plate (Turbine) K27	1301-027-480	3			
32	Clamp Plate (Comp) K27	1301-027-500	4			
34	Lock Plate (Turbine) K27	1301-027-520	3			
31	Washer (Comp)	1301-027-580	8			
29	Washer (Seal plate)	1301-027-581	4	4	4	4
35	Bolt (Turbine)	1301-027-600	6	6	6	6
30	Bolt (Seal Plate) Comp	1301-027-610	8			
28	Bolt (Seal Plate to B/Hsg)	1301-026-620	4	4	4	4
					<b>Replace 5328-711-0009</b>	

See next page for oversize bearings and piston rings

## K27 Type

### Oversize Repair Parts Available

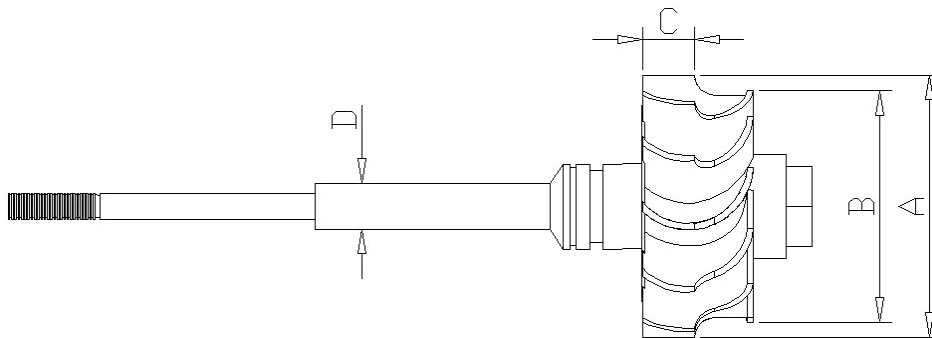
<b>Journal Bearings (Grooved OD)</b>		
Oversize's Available		Part Number
OD +.010"	ID -.010"	<b>1301-027-121</b>
OD +.010"	ID Std	<b>1301-027-125</b>
OD Std.	ID -.010"	<b>1301-027-128</b>

<b>Piston Rings</b>			
Oversizes Available – Turbine & Comp End			
<b>Description</b>	<b>OD</b>	<b>Width</b>	<b>Part Number</b>
14mm Ring	OD +0.1mm	Wth Std	<b>1301-014-180</b>
14mm Ring	OD +0.010"	Wth Std	<b>1301-014-182</b>
14mm Ring	OD +0.010"	Wth +0.010"	<b>1301-014-183</b>
14mm Ring	OD Std	Wth +0.010"	<b>1301-014-184</b>
19.3mm Ring	OD Std	Wth +0.008"	<b>1301-027-180</b>
19.3mm Ring	OD +0.010"	Wth Std	<b>1301-027-182</b>
19.3mm Ring	OD +0.010"	Wth +0.008"	<b>1301-027-183</b>

# K27 Type

## Major Replacement Parts - Detail

### Shaft & Wheel



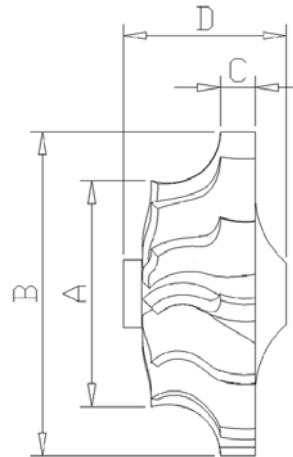
Melett Part No.	To replace KKK..	(A) Inducer $\varnothing$ mm's	(B) Exducer $\varnothing$ mm's	(C) Tip width mm's	D (Shaft OD)
1301-027-435	5327-120-2105	76.2	64.0	11.4	9.962 - 9.955
1301-027-435	5327-120-2103	76.2	64.0	11.4	9.962 - 9.955
1301-027-435	5327-120-5013	76.2	64.0	11.4	9.962 - 9.955
1301-027-436	5327-120-2108	76.2	64.0	11.5	9.962 - 9.955
1301-027-436	5327-120-2112	76.2	64.0	11.5	9.962 - 9.955
1301-027-436	5327-120-5000	76.2	64.0	11.5	9.962 - 9.955
1301-027-437	5327-120-2111	70.0	62.0	11.0	9.962 - 9.955
1301-027-437	5327-120-2121	70.0	62.0	11.0	9.962 - 9.955
1301-027-437	5327-120-5011	70.0	62.0	11.0	9.962 - 9.955
1301-027-437	5327-120-5006	70.0	62.0	11.0	9.962 - 9.955
1301-027-438	5327-120-2109	76.2	68.2	11.0	9.962 - 9.955
1301-027-438	5327-120-2110	76.2	68.2	11.0	9.962 - 9.955
1301-027-438	5327-120-2113	76.2	68.2	11.0	9.962 - 9.955
1301-027-438	5327-120-2117	76.2	68.2	11.0	9.962 - 9.955
1301-027-438	5327-120-5005	76.2	68.2	11.0	9.962 - 9.955

Dimension for shaft diameter 'D' are minimum – maximum allowable limits for use with the standard journal bearing. Melett's fully qualified Engineers are available to answer any technical enquiry regarding limits, tolerances, and turbo set-up configurations. Email: [Engineer@melett.com](mailto:Engineer@melett.com)

# K27 Type

## Major Replacement Parts - Detail

### Compressor Wheel



Melett Part No.	To replace KKK...	KKK Trim	(A) Inducer $\varnothing$ mm's	(B) Full $\varnothing$ mm's	(C) Tip width mm's	(D) Total Hub Length	No. of Blades
1301-027-400	5327-123-2009	3060G	45.6	75.9	6.3	32.9	12
1301-027-400	5327-123-2301	3060G	45.6	75.9	6.3	32.9	12
1301-027-401	5327-123-2003	2960U	43.5	72.3	5.4	29.3	12
1301-027-401	5327-123-2237	2960U	43.5	72.3	5.4	29.3	12
1301-027-402	5327-123-2000	2963U	45.6	72.3	6.3	29.4	12
1301-027-402	5327-123-2234	2963U	45.6	72.3	6.3	29.4	12
1301-027-403	5327-123-2012	3064G	48.3	75.9	7.4	32.9	12
1301-027-403	5327-123-2302	3064G	48.3	75.9	7.4	32.9	12
1301-027-404	5327-123-2015	3070G	52.5	75.8	8.5	32.9	12
1301-027-404	5327-123-2303	3070G	52.5	75.8	8.5	32.9	12
1301-027-405	5327-123-2006	2966NV	48.1	72.3	6.7	29.4	12
1301-027-405	5327-123-2238	2966NV	48.1	72.3	6.7	29.4	12
1301-027-406	5327-123-2002	2970N	50.6	72.4	7.6	29.4	12
1301-027-406	5327-123-2236	2970N	50.6	72.4	7.6	29.4	12
1301-027-415	5327-123-2021	3262MAA	49.1	80.7	6.1	40.7	14
1301-027-425	5327-123-2035	3262MGB	49.1	80.7	6.1	44.0	14
1301-027-425	5327-123-2217	3262MNA	49.1	80.7	6.1	44.0	14

# K27 Type

## Replacement Turbine Housings

Melett Part No.	To replace KKK Hsg No....	Description	Entry Detail	To fit turbo No.
1301-027-850	5223-101-6320	Turbine Housing K27 6.11	Single	5327-988-6002
1301-027-851	5327-101-6305	Turbine Housing K27 9.11	Single	5327-988-6003/6037/6720
1301-027-852	5223-101-6323	Turbine Housing K27 11.11	Single	5327-988-6004/7003
1301-027-853	-	Turbine Housing K27 11.11	Single	CZ K27-80
1301-027-854	-	Turbine Housing K27 13.21	Twin	CZ K27-61
1301-027-855	-	Turbine Housing K27 13.11	Single	CZ K27-80
1301-027-863	-	Turbine Housing K27 17.21	Twin	CZ K27-98

Notes:

- 1) In the description, the first number denotes the A/R – e.g. K27 9.11 A/R = 9.
- 2) All the above housings have a 4-bolt outlet

## K27 Type

### Major Replacement Parts – ‘Where Used’

KKK Turbo Part Number	MELETT CHRA Part Number	MELET Shaft & Wheel Part Number	MELETT Bearing Hsg Part Number	MELETT Heat Shield Part Number	MELETT Seal Plate Part Number	MELETT Comp. Wheel Part Number	MELETT Comp. Cover Part Number
5327 988 0008	N/A	1301-027-436	1301-027-450	1301-027-341	N/A	N/A	N/A
5327 988 5701	N/A	1301-027-435	1301-027-450	1301-027-341	1301-027-360	N/A	N/A
5327 988 5702	N/A	1301-027-435	1301-027-450	1301-027-341	N/A	N/A	N/A
5327 988 5720	N/A	1301-027-436	1301-027-450	1301-027-341	N/A	N/A	N/A
5327 988 5721	N/A	1301-027-436	1301-027-450	1301-027-341	N/A	N/A	N/A
5327 988 5722	N/A	1301-027-436	1301-027-450	1301-027-341	N/A	N/A	N/A
5327 988 6000	1301-027-700	1301-027-435	1301-027-450	1301-027-340	1301-027-361	1301-027-401	N/A
5327 988 6001	1301-027-701	1301-027-435	1301-027-450	1301-027-341	1301-027-360	1301-027-400	1301-027-802
5327 988 6002	1301-027-701	1301-027-435	1301-027-450	1301-027-341	1301-027-360	1301-027-400	1301-027-802
5327 988 6003	1301-027-701	1301-027-435	1301-027-450	1301-027-341	1301-027-360	1301-027-400	1301-027-802
5327 988 6004	1301-027-701	1301-027-435	1301-027-450	1301-027-341	1301-027-360	1301-027-400	1301-027-802
5327 988 6005	1301-027-701	1301-027-435	1301-027-450	1301-027-341	1301-027-360	1301-027-400	1301-027-802
5327 988 6006	1301-027-701	1301-027-435	1301-027-450	1301-027-340	1301-027-360	1301-027-400	1301-027-802
5327 988 6007	1301-027-701	1301-027-435	1301-027-450	1301-027-340	1301-027-360	1301-027-400	N/A
5327 988 6008	1301-027-701	1301-027-435	1301-027-450	1301-027-341	1301-027-360	1301-027-400	1301-027-802
5327 988 6010	1301-027-701	1301-027-435	1301-027-450	1301-027-341	1301-027-360	1301-027-400	1301-027-802
5327 988 6011	N/A	1301-027-435	1301-027-450	1301-027-340	N/A	1301-027-400	N/A
5327 988 6012	1301-027-701	1301-027-435	1301-027-450	1301-027-341	1301-027-360	1301-027-400	1301-027-802
5327 988 6014	1301-027-711	1301-027-435	1301-027-450	1301-027-341	1301-027-360	1301-027-400	1301-027-802
5327 988 6015	1301-027-701	1301-027-435	1301-027-450	1301-027-341	1301-027-360	1301-027-400	1301-027-802
5327 988 6016	N/A	1301-027-435	1301-027-450	1301-027-341	N/A	1301-027-400	N/A
5327 988 6017	N/A	N/A	1301-027-450	1301-027-341	N/A	N/A	N/A
5327 988 6019	1301-027-711	1301-027-435	1301-027-450	1301-027-341	1301-027-360	1301-027-400	N/A
5327 988 6020	1301-027-701	1301-027-435	1301-027-450	1301-027-341	1301-027-360	1301-027-400	1301-027-802
5327 988 6021	1301-027-701	1301-027-435	1301-027-450	1301-027-340	1301-027-360	1301-027-400	1301-027-802
5327 988 6022	N/A	1301-027-435	1301-027-450	1301-027-341	N/A	1301-027-400	1301-027-802
5327 988 6023	1301-027-711	1301-027-435	1301-027-450	1301-027-341	1301-027-360	1301-027-400	N/A
5327 988 6024	N/A	1301-027-436	1301-027-450	1301-027-341	N/A	N/A	1301-027-802
5327 988 6025	1301-027-711	1301-027-435	1301-027-450	1301-027-341	1301-027-360	1301-027-400	N/A
5327 988 6026	N/A	1301-027-435	1301-027-450	1301-027-341	N/A	1301-027-400	N/A
5327 988 6027	N/A	1301-027-435	1301-027-450	1301-027-341	N/A	N/A	N/A
5327 988 6028	N/A	1301-027-435	1301-027-450	1301-027-341	N/A	N/A	N/A
5327 988 6030	N/A	1301-027-436	1301-027-450	1301-027-341	1301-027-362	N/A	N/A
5327 988 6031	N/A	1301-027-435	1301-027-450	1301-027-341	N/A	1301-027-400	1301-027-802
5327 988 6032	N/A	1301-027-435	1301-027-450	1301-027-341	N/A	1301-027-400	1301-027-802
5327 988 6033	1301-027-711	1301-027-435	1301-027-450	1301-027-341	1301-027-360	1301-027-400	N/A

## K27 Type

### Major Replacement Parts – ‘Where Used’

KKK Turbo Part Number	MELETT CHRA Part Number	MELETT Shaft & Wheel Part Number	MELETT Bearing Hsg Part Number	MELETT Heat Shield Part Number	MELETT Seal Plate Part Number	MELETT Comp. Wheel Part Number	MELETT Comp. Cover Part Number
5327 988 6034	N/A	<b>1301-027-435</b>	<b>1301-027-450</b>	<b>1301-027-341</b>	N/A	<b>1301-027-400</b>	<b>1301-027-802</b>
5327 988 6037	N/A	<b>1301-027-436</b>	<b>1301-027-450</b>	<b>1301-027-341</b>	N/A	N/A	N/A
5327 988 6038	N/A	<b>1301-027-436</b>	<b>1301-027-450</b>	<b>1301-027-341</b>	N/A	N/A	N/A
5327 988 6039	N/A	<b>1301-027-436</b>	<b>1301-027-450</b>	<b>1301-027-341</b>	N/A	N/A	N/A
5327 988 6070	N/A	N/A	<b>1301-027-450</b>	<b>1301-027-341</b>	<b>1301-027-360</b>	N/A	N/A
5327 988 6072	N/A	N/A	<b>1301-027-450</b>	<b>1301-027-341</b>	N/A	N/A	N/A
5327 988 6073	N/A	<b>1301-027-435</b>	<b>1301-027-450</b>	<b>1301-027-341</b>	N/A	N/A	N/A
5327 988 6080	N/A	<b>1301-027-435</b>	N/A	<b>1301-027-340</b>	N/A	N/A	N/A
5327 988 6201	<b>1301-027-706</b>	<b>1301-027-438</b>	<b>1301-027-455</b>	<b>1301-027-342</b>	N/A	<b>1301-027-415</b>	N/A
5327 988 6203	N/A	<b>1301-027-438</b>	<b>1301-027-455</b>	<b>1301-027-342</b>	N/A	<b>1301-027-425</b>	N/A
5327 988 6204	N/A	<b>1301-027-437</b>	N/A	N/A	N/A	<b>1301-027-425</b>	N/A
5327 988 6205	N/A	<b>1301-027-437</b>	N/A	N/A	N/A	<b>1301-027-425</b>	N/A
5327 988 6206	<b>1301-027-724</b>	<b>1301-027-438</b>	<b>1301-027-455</b>	<b>1301-027-342</b>	N/A	<b>1301-027-425</b>	N/A
5327 988 6207	N/A	<b>1301-027-437</b>	N/A	N/A	N/A	N/A	N/A
5327 988 6208	N/A	<b>1301-027-437</b>	N/A	N/A	N/A	<b>1301-027-425</b>	N/A
5327 988 6209	N/A	<b>1301-027-437</b>	N/A	N/A	N/A	N/A	N/A
5327 988 6210	N/A	<b>1301-027-437</b>	N/A	N/A	N/A	<b>1301-027-425</b>	N/A
5327 988 6211	N/A	<b>1301-027-437</b>	N/A	N/A	N/A	<b>1301-027-425</b>	N/A
5327 988 6212	N/A	<b>1301-027-437</b>	N/A	N/A	N/A	<b>1301-027-425</b>	N/A
5327 988 6213	N/A	<b>1301-027-437</b>	N/A	N/A	N/A	N/A	N/A
5327 988 6214	N/A	<b>1301-027-437</b>	N/A	N/A	N/A	N/A	N/A
5327 988 6215	N/A	<b>1301-027-437</b>	N/A	N/A	N/A	N/A	N/A
5327 988 6216	N/A	N/A	N/A	N/A	N/A	<b>1301-027-425</b>	N/A
5327 988 6290	N/A	N/A	<b>1301-027-450</b>	<b>1301-027-341</b>	N/A	<b>1301-027-425</b>	N/A
5327 988 6302	<b>1301-027-703</b>	<b>1301-027-435</b>	<b>1301-027-450</b>	<b>1301-027-341</b>	<b>1301-027-361</b>	<b>1301-027-402</b>	N/A
5327 988 6310	N/A	<b>1301-027-435</b>	<b>1301-027-450</b>	<b>1301-027-340</b>	N/A	<b>1301-027-402</b>	N/A
5327 988 6311	<b>1301-027-703</b>	<b>1301-027-435</b>	<b>1301-027-450</b>	<b>1301-027-340</b>	<b>1301-027-361</b>	<b>1301-027-402</b>	N/A
5327 988 6401	<b>1301-027-702</b>	<b>1301-027-435</b>	<b>1301-027-450</b>	<b>1301-027-340</b>	<b>1301-027-360</b>	<b>1301-027-403</b>	<b>1301-027-801</b>
5327 988 6402	<b>1301-027-702</b>	<b>1301-027-435</b>	<b>1301-027-450</b>	<b>1301-027-340</b>	<b>1301-027-360</b>	<b>1301-027-403</b>	N/A
5327 988 6403	N/A	<b>1301-027-437</b>	N/A	N/A	N/A	N/A	N/A
5327 988 6404	N/A	N/A	<b>1301-027-450</b>	<b>1301-027-341</b>	N/A	<b>1301-027-403</b>	N/A
5327 988 6405	<b>1301-027-702</b>	<b>1301-027-435</b>	<b>1301-027-450</b>	<b>1301-027-340</b>	<b>1301-027-360</b>	<b>1301-027-403</b>	N/A
5327 988 6406	N/A	<b>1301-027-435</b>	<b>1301-027-450</b>	<b>1301-027-340</b>	N/A	<b>1301-027-403</b>	N/A
5327 988 6407	N/A	<b>1301-027-437</b>	N/A	N/A	N/A	N/A	N/A
5327 988 6408	N/A	N/A	N/A	N/A	N/A	N/A	N/A
5327 988 6409	N/A	<b>1301-027-437</b>	N/A	N/A	N/A	N/A	N/A
5327 988 6410	N/A	N/A	<b>1301-027-450</b>	<b>1301-027-340</b>	<b>1301-027-360</b>	<b>1301-027-403</b>	<b>1301-027-801</b>

## K27 Type

### Major Replacement Parts – ‘Where Used’

KKK Turbo Part Number	MELETT CHRA Part Number	MELET Shaft & Wheel Part Number	MELETT Bearing Hsg Part Number	MELETT Heat Shield Part Number	MELETT Seal Plate Part Number	MELETT Comp. Wheel Part Number
5327 988 6411	N/A	N/A	N/A	N/A	N/A	N/A
5327 988 6412	N/A	N/A	<b>1301-027-450</b>	<b>1301-027-341</b>	N/A	<b>1301-027-400</b>
5327 988 6413	N/A	<b>1301-027-437</b>	N/A	N/A	N/A	N/A
5327 988 6414	<b>1301-027-725</b>	<b>1301-027-436</b>	<b>1301-027-450</b>	<b>1301-027-341</b>	N/A	<b>1301-027-400</b>
5327 988 6415	<b>1301-027-725</b>	<b>1301-027-436</b>	<b>1301-027-450</b>	<b>1301-027-341</b>	N/A	<b>1301-027-400</b>
5327 988 6416	N/A	N/A	N/A	N/A	N/A	N/A
5327 988 6417	N/A	N/A	N/A	N/A	N/A	N/A
5327 988 6418	N/A	<b>1301-027-437</b>	N/A	N/A	N/A	N/A
5327 988 6419	N/A	<b>1301-027-437</b>	N/A	N/A	N/A	N/A
5327 988 6420	N/A	N/A	<b>1301-027-450</b>	<b>1301-027-341</b>	N/A	N/A
5327 988 6421	N/A	<b>1301-027-436</b>	<b>1301-027-450</b>	<b>1301-027-341</b>	N/A	N/A
5327 988 6422	N/A	<b>1301-027-436</b>	<b>1301-027-450</b>	<b>1301-027-341</b>	<b>1301-027-362</b>	N/A
5327 988 6423	N/A	<b>1301-027-436</b>	<b>1301-027-450</b>	<b>1301-027-341</b>	N/A	N/A
5327 988 6424	N/A	<b>1301-027-438</b>	<b>1301-027-455</b>	<b>1301-027-342</b>	N/A	N/A
5327 988 6425	N/A	<b>1301-027-438</b>	<b>1301-027-455</b>	<b>1301-027-342</b>	N/A	N/A
5327 988 6426	N/A	<b>1301-027-438</b>	<b>1301-027-450</b>	<b>1301-027-341</b>	N/A	N/A
5327 988 6429	N/A	<b>1301-027-436</b>	<b>1301-027-450</b>	<b>1301-027-341</b>	N/A	<b>1301-027-400</b>
5327 988 6430	N/A	<b>1301-027-435</b>	<b>1301-027-450</b>	<b>1301-027-340</b>	N/A	N/A
5327 988 6431	N/A	<b>1301-027-436</b>	<b>1301-027-450</b>	<b>1301-027-341</b>	N/A	N/A
5327 988 6432	N/A	N/A	N/A	N/A	N/A	N/A
5327 988 6433	N/A	<b>1301-027-437</b>	N/A	N/A	N/A	N/A
5327 988 6434	N/A	<b>1301-027-437</b>	N/A	N/A	N/A	N/A
5327 988 6435	N/A	<b>1301-027-437</b>	N/A	N/A	N/A	N/A
5327 988 6436	N/A	N/A	N/A	N/A	N/A	N/A
5327 988 6437	N/A	N/A	N/A	N/A	N/A	N/A
5327 988 6438	N/A	N/A	N/A	N/A	N/A	N/A
5327 988 6439	N/A	N/A	N/A	N/A	<b>1301-027-360</b>	N/A
5327 988 6440	N/A	<b>1301-027-437</b>	N/A	N/A	N/A	N/A
5327 988 6441	N/A	<b>1301-027-437</b>	N/A	N/A	N/A	N/A
5327 988 6442	N/A	<b>1301-027-437</b>	N/A	N/A	N/A	N/A
5327 988 6444	N/A	<b>1301-027-437</b>	N/A	N/A	N/A	N/A
5327 988 6445	N/A	<b>1301-027-437</b>	N/A	N/A	N/A	N/A
5327 988 6446	N/A	<b>1301-027-437</b>	N/A	N/A	N/A	N/A
5327 988 6447	N/A	<b>1301-027-437</b>	N/A	N/A	N/A	N/A
5327 988 6448	N/A	N/A	N/A	N/A	N/A	N/A
5327 988 6450	<b>1301-027-712</b>	<b>1301-027-435</b>	<b>1301-027-450</b>	<b>1301-027-341</b>	<b>1301-027-360</b>	<b>1301-027-403</b>
5327 988 6451	N/A	<b>1301-027-437</b>	N/A	N/A	N/A	N/A
5327 988 6452	N/A	N/A	N/A	N/A	N/A	N/A
5327 988 6453	N/A	N/A	N/A	N/A	N/A	N/A

# K27 Type

## Major Replacement Parts – ‘Where Used’

KKK Turbo Part Number	MELETT CHRA Part Number	MELET Shaft & Wheel Part Number	MELETT Bearing Hsg Part Number	MELETT Heat Shield Part Number	MELETT Seal Plate Part Number	MELETT Comp. Wheel Part Number	MELETT Comp. Cover Part Number
5327 988 6483	N/A	<b>1301-027-435</b>	<b>1301-027-450</b>	<b>1301-027-341</b>	N/A	<b>1301-027-403</b>	N/A
5327 988 6484	<b>1301-027-712</b>	<b>1301-027-435</b>	<b>1301-027-450</b>	<b>1301-027-341</b>	<b>1301-027-360</b>	<b>1301-027-403</b>	N/A
5327 988 6485	<b>1301-027-712</b>	<b>1301-027-435</b>	<b>1301-027-450</b>	<b>1301-027-341</b>	<b>1301-027-360</b>	<b>1301-027-403</b>	N/A
5327 988 6486	N/A	<b>1301-027-435</b>	<b>1301-027-450</b>	<b>1301-027-341</b>	N/A	<b>1301-027-403</b>	N/A
5327 988 6490	N/A	<b>1301-027-435</b>	<b>1301-027-450</b>	<b>1301-027-340</b>	N/A	<b>1301-027-403</b>	N/A
5327 988 6491	N/A	N/A	<b>1301-027-450</b>	<b>1301-027-341</b>	<b>1301-027-360</b>	<b>1301-027-403</b>	<b>1301-027-801</b>
5327 988 6492	N/A	<b>1301-027-437</b>	<b>1301-027-450</b>	<b>1301-027-341</b>	N/A	N/A	N/A
5327 988 6493	<b>1301-027-725</b>	<b>1301-027-436</b>	<b>1301-027-450</b>	<b>1301-027-341</b>	N/A	<b>1301-027-400</b>	N/A
5327 988 6494	<b>1301-027-725</b>	<b>1301-027-436</b>	<b>1301-027-450</b>	<b>1301-027-341</b>	N/A	<b>1301-027-400</b>	N/A
5327 988 6497	<b>1301-027-725</b>	<b>1301-027-436</b>	<b>1301-027-450</b>	<b>1301-027-341</b>	N/A	<b>1301-027-400</b>	N/A
5327 988 6498	<b>1301-027-725</b>	<b>1301-027-436</b>	<b>1301-027-450</b>	<b>1301-027-341</b>	N/A	<b>1301-027-400</b>	N/A
5327 988 6500	N/A	<b>1301-027-438</b>	N/A	<b>1301-027-342</b>	N/A	N/A	N/A
5327 988 6502	N/A	N/A	<b>1301-027-455</b>	<b>1301-027-342</b>	N/A	N/A	N/A
5327 988 6503	N/A	N/A	<b>1301-027-455</b>	<b>1301-027-342</b>	N/A	N/A	N/A
5327 988 6504	N/A	N/A	<b>1301-027-455</b>	<b>1301-027-342</b>	N/A	N/A	N/A
5327 988 6505	N/A	N/A	<b>1301-027-455</b>	<b>1301-027-342</b>	N/A	N/A	N/A
5327 988 6506	N/A	N/A	<b>1301-027-455</b>	<b>1301-027-342</b>	N/A	N/A	N/A
5327 988 6507	N/A	N/A	<b>1301-027-455</b>	<b>1301-027-342</b>	N/A	N/A	N/A
5327 988 6508	N/A	N/A	<b>1301-027-455</b>	<b>1301-027-342</b>	N/A	N/A	N/A
5327 988 6509	N/A	<b>1301-027-438</b>	<b>1301-027-450</b>	<b>1301-027-341</b>	N/A	N/A	N/A
5327 988 6510	N/A	<b>1301-027-438</b>	<b>1301-027-450</b>	<b>1301-027-341</b>	N/A	N/A	N/A
5327 988 6511	N/A	N/A	<b>1301-027-455</b>	<b>1301-027-342</b>	N/A	N/A	N/A
5327 988 6512	N/A	N/A	<b>1301-027-455</b>	<b>1301-027-342</b>	N/A	N/A	N/A
5327 988 6513	N/A	N/A	<b>1301-027-455</b>	<b>1301-027-342</b>	N/A	N/A	N/A
5327 988 6514	N/A	N/A	<b>1301-027-455</b>	<b>1301-027-342</b>	N/A	N/A	N/A
5327 988 6515	N/A	N/A	<b>1301-027-455</b>	<b>1301-027-342</b>	N/A	N/A	N/A
5327 988 6516	N/A	N/A	<b>1301-027-455</b>	<b>1301-027-342</b>	N/A	N/A	N/A
5327 988 6517	N/A	N/A	<b>1301-027-455</b>	<b>1301-027-342</b>	N/A	N/A	N/A
5327 988 6518	N/A	<b>1301-027-438</b>	<b>1301-027-450</b>	<b>1301-027-341</b>	N/A	N/A	N/A
5327 988 6521	N/A	N/A	<b>1301-027-455</b>	<b>1301-027-342</b>	N/A	N/A	N/A
5327 988 6522	N/A	N/A	N/A	<b>1301-027-342</b>	N/A	N/A	N/A
5327 988 6602	N/A	<b>1301-027-435</b>	<b>1301-027-450</b>	<b>1301-027-341</b>	N/A	<b>1301-027-405</b>	N/A
5327 988 6603	N/A	<b>1301-027-435</b>	<b>1301-027-450</b>	<b>1301-027-341</b>	N/A	<b>1301-027-405</b>	N/A
5327 988 6604	N/A	<b>1301-027-435</b>	<b>1301-027-450</b>	<b>1301-027-340</b>	<b>1301-027-361</b>	<b>1301-027-405</b>	N/A
5327 988 6605	N/A	<b>1301-027-435</b>	<b>1301-027-450</b>	<b>1301-027-341</b>	N/A	<b>1301-027-405</b>	N/A
5327 988 6606	N/A	N/A	N/A	N/A	N/A	N/A	N/A
5327 988 6607	N/A	<b>1301-027-437</b>	N/A	N/A	N/A	N/A	N/A

## K27 Type

### Major Replacement Parts – ‘Where Used’

KKK Turbo Part Number	MELETT CHRA Part Number	MELET Shaft & Wheel Part Number	MELETT Bearing Hsg Part Number	MELETT Heat Shield Part Number	MELETT Seal Plate Part Number	MELETT Comp. Wheel Part Number
5327 988 6608	N/A	<b>1301-027-437</b>	N/A	N/A	N/A	N/A
5327 988 6609	N/A	<b>1301-027-437</b>	N/A	N/A	N/A	N/A
5327 988 6611	N/A	<b>1301-027-437</b>	N/A	N/A	N/A	N/A
5327 988 6612	N/A	<b>1301-027-437</b>	N/A	N/A	N/A	N/A
5327 988 6613	N/A	<b>1301-027-437</b>	N/A	N/A	N/A	N/A
5327 988 6614	N/A	<b>1301-027-437</b>	N/A	N/A	N/A	N/A
5327 988 6615	N/A	<b>1301-027-437</b>	N/A	N/A	N/A	N/A
5327 988 6616	N/A	<b>1301-027-437</b>	N/A	N/A	N/A	N/A
5327 988 6619	N/A	<b>1301-027-437</b>	N/A	N/A	N/A	N/A
5327 988 6701	N/A	<b>1301-027-438</b>	<b>1301-027-450</b>	<b>1301-027-341</b>	N/A	N/A
5327 988 6702	N/A	<b>1301-027-437</b>	N/A	N/A	N/A	N/A
5327 988 6704	N/A	<b>1301-027-436</b>	<b>1301-027-450</b>	<b>1301-027-341</b>	N/A	N/A
5327 988 6705	N/A	<b>1301-027-438</b>	<b>1301-027-450</b>	<b>1301-027-341</b>	N/A	N/A
5327 988 6706	N/A	<b>1301-027-437</b>	N/A	N/A	N/A	N/A
5327 988 6707	N/A	N/A	<b>1301-027-450</b>	<b>1301-027-341</b>	N/A	N/A
5327 988 6710	N/A	N/A	N/A	N/A	N/A	N/A
5327 988 6711	N/A	<b>1301-027-437</b>	N/A	N/A	N/A	N/A
5327 988 6713	N/A	N/A	N/A	<b>1301-027-342</b>	N/A	N/A
5327 988 6714	N/A	<b>1301-027-435</b>	<b>1301-027-450</b>	<b>1301-027-341</b>	N/A	N/A
5327 988 6715	N/A	<b>1301-027-437</b>	N/A	<b>1301-027-342</b>	N/A	N/A
5327 988 6716	N/A	<b>1301-027-437</b>	N/A	<b>1301-027-342</b>	N/A	N/A
5327 988 6717	N/A	<b>1301-027-437</b>	N/A	N/A	N/A	N/A
5327 988 6718	N/A	<b>1301-027-437</b>	N/A	N/A	N/A	N/A
5327 988 6719	N/A	<b>1301-027-437</b>	N/A	N/A	N/A	N/A
5327 988 6720	N/A	<b>1301-027-435</b>	<b>1301-027-450</b>	<b>1301-027-341</b>	N/A	N/A
5327 988 6721	N/A	<b>1301-027-437</b>	N/A	N/A	N/A	N/A
5327 988 6722	N/A	<b>1301-027-436</b>	<b>1301-027-450</b>	<b>1301-027-341</b>	N/A	N/A
5327 988 6723	N/A	N/A	<b>1301-027-450</b>	<b>1301-027-341</b>	N/A	N/A
5327 988 6724	N/A	<b>1301-027-435</b>	<b>1301-027-450</b>	<b>1301-027-341</b>	N/A	N/A
5327 988 6725	N/A	<b>1301-027-437</b>	N/A	N/A	N/A	N/A
5327 988 6726	N/A	<b>1301-027-438</b>	<b>1301-027-450</b>	<b>1301-027-341</b>	N/A	N/A
5327 988 6727	N/A	N/A	N/A	N/A	N/A	N/A
5327 988 6728	N/A	N/A	N/A	N/A	N/A	N/A
5327 988 6729	N/A	N/A	N/A	N/A	N/A	N/A
5327 988 6730	N/A	<b>1301-027-436</b>	<b>1301-027-450</b>	<b>1301-027-341</b>	N/A	N/A
5327 988 6732	N/A	N/A	N/A	N/A	N/A	N/A
5327 988 6733	N/A	<b>1301-027-436</b>	<b>1301-027-450</b>	<b>1301-027-341</b>	N/A	N/A

## K27 Type

### Major Replacement Parts – ‘Where Used’

KKK Turbo Part Number	MELETT CHRA Part Number	MELET Shaft & Wheel Part Number	MELETT Bearing Hsg Part Number	MELETT Heat Shield Part Number	MELETT Seal Plate Part Number	MELETT Comp. Wheel Part Number
5327 988 6734	N/A	N/A	1301-027-450	1301-027-341	N/A	N/A
5327 988 6735	N/A	1301-027-438	N/A	1301-027-341	N/A	N/A
5327 988 6738	N/A	N/A	1301-027-450	1301-027-341	N/A	N/A
5327 988 6739	N/A	1301-027-436	1301-027-450	1301-027-341	N/A	N/A
5327 988 6787	N/A	1301-027-436	1301-027-450	1301-027-341	N/A	N/A
5327 988 6788	N/A	N/A	N/A	N/A	N/A	N/A
5327 988 6789	N/A	N/A	1301-027-450	1301-027-341	N/A	N/A
5327 988 6790	N/A	1301-027-436	1301-027-450	1301-027-341	N/A	N/A
5327 988 6791	N/A	1301-027-436	1301-027-450	1301-027-341	N/A	N/A
5327 988 6792	N/A	1301-027-436	1301-027-450	1301-027-341	N/A	N/A
5327 988 6793	N/A	1301-027-436	1301-027-450	1301-027-341	N/A	N/A
5327 988 6794	N/A	N/A	1301-027-450	1301-027-341	N/A	N/A
5327 988 6795	N/A	1301-027-436	1301-027-450	1301-027-341	N/A	N/A
5327 988 6796	N/A	N/A	N/A	N/A	N/A	N/A
5327 988 6797	N/A	1301-027-436	1301-027-450	1301-027-341	N/A	N/A
5327 988 6798	N/A	1301-027-436	1301-027-450	1301-027-341	N/A	N/A
5327 988 6799	N/A	1301-027-436	1301-027-450	1301-027-341	N/A	N/A
5327 988 6800	N/A	1301-027-435	1301-027-450	1301-027-340	N/A	N/A
5327 988 6802	N/A	1301-027-438	1301-027-450	1301-027-341	N/A	N/A
5327 988 6803	N/A	1301-027-438	1301-027-450	1301-027-341	N/A	N/A
5327 988 6804	N/A	1301-027-438	1301-027-450	1301-027-341	N/A	N/A
5327 988 6805	N/A	1301-027-438	1301-027-450	1301-027-341	N/A	N/A
5327 988 6806	N/A	1301-027-438	1301-027-450	1301-027-341	N/A	N/A
5327 988 6807	N/A	1301-027-438	1301-027-450	1301-027-341	N/A	N/A
5327 988 6811	N/A	1301-027-438	1301-027-450	1301-027-341	N/A	N/A
5327 988 6812	N/A	1301-027-438	1301-027-450	1301-027-341	N/A	N/A
5327 988 6813	N/A	1301-027-438	1301-027-450	1301-027-341	N/A	N/A
5327 988 6890	N/A	N/A	1301-027-450	1301-027-341	N/A	N/A
5327 988 6891	N/A	N/A	1301-027-450	1301-027-341	N/A	N/A
5327 988 6892	N/A	N/A	1301-027-450	1301-027-341	N/A	N/A
5327 988 6893	N/A	1301-027-436	1301-027-450	1301-027-341	N/A	N/A
5327 988 6894	N/A	1301-027-436	1301-027-450	1301-027-341	N/A	N/A
5327 988 7000	N/A	1301-027-435	1301-027-450	1301-027-340	N/A	1301-027-406
5327 988 7003	1301-027-704	1301-027-435	1301-027-450	1301-027-340	1301-027-361	1301-027-406
5327 988 7004	N/A	N/A	N/A	N/A	1301-027-360	N/A
5327 988 7005	1301-027-714	1301-027-435	N/A	1301-027-341	1301-027-360	1301-027-404
5327 988 7006	N/A	1301-027-435	N/A	1301-027-341	N/A	1301-027-404
5327 988 7007	N/A	1301-027-435	N/A	1301-027-341	N/A	1301-027-404

# K27 Type

## Major Replacement Parts – ‘Where Used’

KKK Turbo Part Number	MELETT CHRA Part Number	MELET Shaft & Wheel Part Number	MELETT Bearing Hsg Part Number	MELETT Heat Shield Part Number	MELETT Seal Plate Part Number	MELETT Comp. Wheel Part Number	MELETT Comp. Cover Part Number
5327 988 7008	N/A	N/A	N/A	N/A	N/A	N/A	N/A
5327 988 7009	N/A	<b>1301-027-438</b>	<b>1301-027-450</b>	<b>1301-027-341</b>	N/A	N/A	N/A
5327 988 7010	N/A	N/A	<b>1301-027-450</b>	<b>1301-027-341</b>	N/A	<b>1301-027-406</b>	N/A
5327 988 7011	N/A	<b>1301-027-437</b>	N/A	N/A	N/A	N/A	N/A
5327 988 7012	N/A	<b>1301-027-437</b>	N/A	N/A	N/A	N/A	N/A
5327 988 7014	N/A	N/A	N/A	N/A	N/A	N/A	N/A
5327 988 7016	N/A	N/A	N/A	N/A	N/A	N/A	N/A
5327 988 7017	N/A	N/A	N/A	N/A	N/A	N/A	N/A
5327 988 7018	<b>1301-027-714</b>	<b>1301-027-435</b>	<b>1301-027-450</b>	<b>1301-027-341</b>	<b>1301-027-360</b>	<b>1301-027-404</b>	<b>1301-027-800</b>
5327 988 7019	N/A	N/A	N/A	N/A	N/A	N/A	N/A
5327 988 7020	N/A	<b>1301-027-437</b>	N/A	N/A	N/A	N/A	N/A
5327 988 7021	N/A	<b>1301-027-437</b>	N/A	N/A	N/A	N/A	N/A
5327 988 7022	N/A	N/A	N/A	N/A	N/A	N/A	N/A
5327 988 7023	N/A	<b>1301-027-437</b>	N/A	N/A	N/A	N/A	N/A
5327 988 7024	N/A	<b>1301-027-437</b>	N/A	N/A	N/A	N/A	N/A
5327 988 7025	N/A	N/A	N/A	N/A	N/A	N/A	N/A
5327 988 7026	N/A	N/A	N/A	N/A	N/A	N/A	N/A
5327 988 7027	N/A	<b>1301-027-438</b>	<b>1301-027-450</b>	<b>1301-027-341</b>	N/A	N/A	N/A
5327 988 7028	N/A	<b>1301-027-438</b>	<b>1301-027-450</b>	<b>1301-027-341</b>	N/A	N/A	N/A
5327 988 7029	N/A	N/A	N/A	N/A	N/A	N/A	N/A
5327 988 7030	N/A	N/A	N/A	N/A	N/A	N/A	N/A
5327 988 7031	N/A	N/A	N/A	N/A	N/A	N/A	N/A
5327 988 7032	N/A	N/A	N/A	N/A	N/A	N/A	N/A
5327 988 7033	N/A	N/A	N/A	N/A	N/A	N/A	N/A
5327 988 7039	N/A	N/A	N/A	N/A	N/A	N/A	N/A
5327 988 7040	N/A	N/A	N/A	N/A	N/A	N/A	N/A
5327 988 7041	N/A	N/A	<b>1301-027-450</b>	<b>1301-027-341</b>	N/A	N/A	N/A
5327 988 7042	N/A	N/A	N/A	N/A	N/A	N/A	N/A
5327 988 7043	N/A	N/A	N/A	N/A	N/A	N/A	N/A
5327 988 7044	N/A	<b>1301-027-436</b>	<b>1301-027-450</b>	<b>1301-027-341</b>	N/A	N/A	N/A
5327 988 7046	N/A	N/A	<b>1301-027-450</b>	<b>1301-027-341</b>	N/A	N/A	N/A
5327 988 7048	N/A	N/A	N/A	N/A	N/A	N/A	N/A
5327 988 7049	N/A	<b>1301-027-436</b>	<b>1301-027-450</b>	<b>1301-027-341</b>	N/A	N/A	N/A
5327 988 7052	N/A	<b>1301-027-436</b>	<b>1301-027-450</b>	<b>1301-027-341</b>	N/A	N/A	N/A
5327 988 7053	N/A	N/A	N/A	N/A	N/A	N/A	N/A
5327 988 7054	N/A	N/A	N/A	N/A	N/A	N/A	N/A
5327 988 7056	N/A	<b>1301-027-436</b>	<b>1301-027-450</b>	<b>1301-027-341</b>	N/A	N/A	N/A
5327 988 7057	N/A	N/A	N/A	N/A	N/A	<b>1301-027-425</b>	N/A
5327 988 7058	N/A	N/A	N/A	N/A	N/A	N/A	N/A

## K27 Type

### Major Replacement Parts – ‘Where Used’

KKK Turbo Part Number	MELETT CHRA Part Number	MELET Shaft & Wheel Part Number	MELETT Bearing Hsg Part Number	MELETT Heat Shield Part Number	MELETT Seal Plate Part Number	MELETT Comp. Wheel Part Number	MELETT Comp. Cover Part Number
5327 988 7059	N/A	N/A	N/A	N/A	N/A	N/A	N/A
5327 988 7062	N/A	<b>1301-027-437</b>	N/A	N/A	N/A	N/A	N/A
5327 988 7090	N/A	<b>1301-027-435</b>	<b>1301-027-450</b>	<b>1301-027-340</b>	N/A	<b>1301-027-406</b>	N/A
5327 988 7092	N/A	N/A	<b>1301-027-450</b>	<b>1301-027-341</b>	N/A	N/A	N/A
5327 988 7094	N/A	N/A	N/A	N/A	N/A	N/A	N/A
5327 988 7096	N/A	N/A	N/A	N/A	N/A	N/A	N/A
5327 988 7097	N/A	N/A	N/A	N/A	N/A	N/A	N/A
5327 988 7100	N/A	N/A	N/A	N/A	N/A	N/A	N/A
5327 988 7101	N/A	N/A	N/A	N/A	N/A	N/A	N/A
5327 988 7104	N/A	N/A	N/A	N/A	N/A	N/A	N/A
5327 988 7105	N/A	N/A	N/A	N/A	N/A	N/A	N/A
5327 988 7106	N/A	N/A	N/A	<b>1301-027-342</b>	N/A	N/A	N/A
5327 988 7108	N/A	N/A	N/A	N/A	N/A	N/A	N/A
5327 988 7109	N/A	N/A	N/A	N/A	N/A	N/A	N/A
5327 988 7110	N/A	<b>1301-027-436</b>	<b>1301-027-450</b>	<b>1301-027-341</b>	N/A	N/A	N/A
5327 988 7111	N/A	N/A	N/A	N/A	N/A	N/A	N/A
5327 988 7112	N/A	N/A	N/A	N/A	N/A	N/A	N/A
5327 988 7113	N/A	<b>1301-027-436</b>	<b>1301-027-450</b>	<b>1301-027-341</b>	N/A	N/A	N/A
5327 988 7114	N/A	N/A	N/A	<b>1301-027-342</b>	N/A	N/A	N/A
5327 988 7115	N/A	N/A	N/A	N/A	N/A	N/A	N/A
5327 988 7118	N/A	N/A	N/A	N/A	N/A	N/A	N/A
5327 988 7119	N/A	N/A	N/A	N/A	N/A	N/A	N/A
5327 988 7120	N/A	N/A	N/A	N/A	N/A	N/A	N/A
5327 988 7125	N/A	N/A	N/A	N/A	N/A	N/A	N/A
5327 988 7126	N/A	N/A	N/A	N/A	N/A	N/A	N/A
5327 988 7134	N/A	N/A	N/A	N/A	N/A	N/A	N/A
5327 988 7200	N/A	N/A	N/A	N/A	N/A	N/A	N/A